

Aluetro

Via Lombardia 4/6,
25034 Orzinuovi (BS) - ITALIA
Phone: +39 030 9444433 Fax: +39 030 9946653



To whom it may concern,

RE: Letter of no financial interest in tested system ES-WW8701 for ESWindows.

Blackwater Testing Inc. has no financial interest in Aluetro, GARDA SP300 (PL1 300) and GARDA SP200 (PL1 200) system tested at Blackwater Testing Inc. facilities through 10/08/2018--10/12/2018. Blackwater Testing Inc. was contracted by client, Aluetro, to test specimen(s) and elaborate a test report for specimen(s).



NOV 07 2018

Dennis Duffy CEO
Blackwater Testing Inc.
7341 Westport Pl Suite 1A
West Palm Beach, FL 33413
Ph. (561) 508-2830 Engdep@blackwatertesting.com

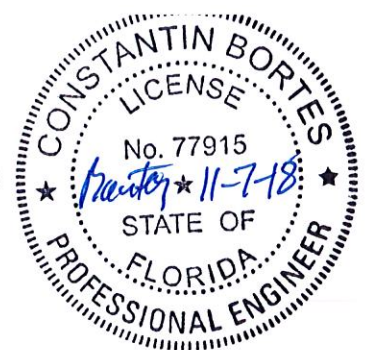


BLACKWATER TESTING INC.

7341 Westport Pl Suite 1A, West Palm Beach Fl. 33413

Phone: 561-508-2830 E-mail: Engdep@blackwatertesting.com

REPORT NO: BT-AUV-18-001 MIAMI-DADE CERTIFICATION #17-1010.33



Constantin Bortes
11/07/2018

Test Dates: Start:10/08/2018 End: 10/12/2018

TESTING OF CONCENTRATED LOAD, PER FLORIDA BUILDING CODE 1618.4.6, STATIC WIND LOAD TAS 202-94(ASTM E330-02), LMI & SMI IMPACT TAS 201-94(ASTM E1996-14a), AND IMPACTS PER ANSI Z97.1 FOR "GARDA SP300 (PL1 300) & SP200 (PL1 200)"

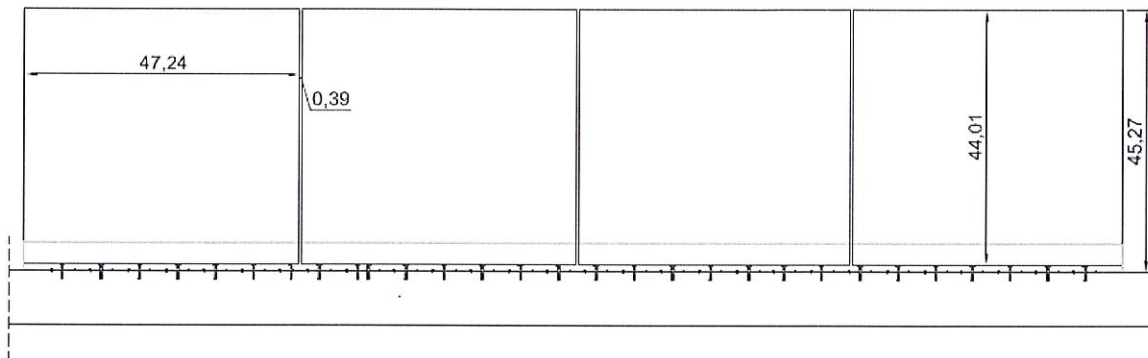
Client:

Aluvetro

Via Lombardia 4/6,

25034 Orzinuovi (BS) - ITALIA

Phone: +39 030 9444433 Fax: +39 030 9946653



Mock Up 1 and Mock Up 2

Product Description of Units: Mock Up 1: GARDA SP300 (PL1 300)

Mock Up 2: GARDA SP200 (PL1 200)

Overall Sizes:

Mock Up 1: 190-1/8" w x 45-1/4" h

Mock Up 2: 190-1/8" w x 45-1/4" h

Test Protocol:

Mock Up 1:

Concentrated Load @200lb — **TAS 202-94@ +/- 90psf** — TAS 202-94@ +/- 120psf — **TAS 202-94@ +/- 240psf** — TAS 201-94 Large Missile Impacts — **Concentrated Load @200lb** — TAS 202-94@ +/- 120psf — **ANSI Z97.1 Impacts**

Mock Up 2:

Concentrated Load @200lb — **TAS 202-94@ +/- 67.5psf** — TAS 202-94@ +/- 90psf — **TAS 202-94@ +/- 180psf** — TAS 201-94 Small Missile Impacts — **Concentrated Load @200lb** — TAS 202-94@ +/- 90psf — **ANSI Z97.1 Impacts**

Statement of Conformance:

This is a general statement and does not supersede the specific product descriptions in this report. The specimens are in conformance with attached Drawings. These drawings have been marked to indicate the appropriate portions descriptive of this test series. Blackwater Testing Inc. does not take responsibility of product performance and whose only purpose is to test and gather pertinent data under test report format for the client.

Witness to Testing:

Dennis Duffy, BT CEO

Andrea Turcato Test Supervisor

Constantin Bortes, P.E. Test Engineer

Reports pertaining to the samples tested only and may not be reproduced without permission. Copyright 2018

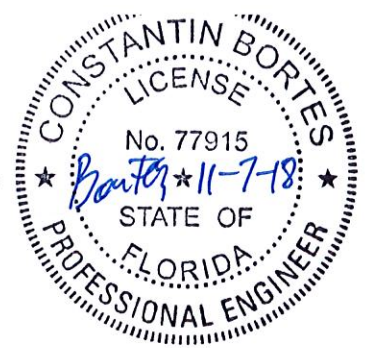


BLACKWATER TESTING INC.

7341 Westport Pl Suite 1A, West Palm Beach Fl. 33413

Phone: 561-508-2830 E-mail: Engdep@blackwatertesting.com

REPORT NO: BT-AUV-18-001 MIAMI-DADE CERTIFICATION #17-1010.33



Constantin Bortes
11/07/2018

Material Characteristics

Construction Detail:

MU1: Railing shoe is a continuous extruded aluminum profile (ref. PL1 300) and is anchored to steel beam with a M10 bolt @ 9-7/8" O.C. and @ 4-15/16" from edge. Inside railing shoes are slotted plastic clamps PZ @ 7-7/8" O.C and @ 3-15/16" from edge.

Four glass panes are installed, fixed to the railing shoe by the clamp.

A side finish casing (ref. KL) is hooked to the profile and pushes the glass pane with a rubber gasket (ref. GU).

MU2: Railing shoe is a continuous extruded aluminum profile (ref. PL1 200) and is anchored to steel beam with a M10 bolt @ 11-13/16" O.C. and @ 5-15/16" from edge.

Inside railing shoes are slotted plastic clamps PZ @ 11-13/16" O.C and @ 5-15/16" from edge.

Four glass panes are installed, fixed to the railing shoe by the clamp.

A side finish casing (ref. KL) is hooked to the profile and pushes the glass pane with a rubber gasket (ref. GU).

Glazing Detail

Glazing Composition:

MU1: 1/2" tempered glass/ 0.030" SGP Interlayer / 1/2" tempered glass

MU2: 3/8" tempered glass/ 0.060" SGP Interlayer / 3/8" tempered glass

Glazing Bite

MU1 & MU2: 4"

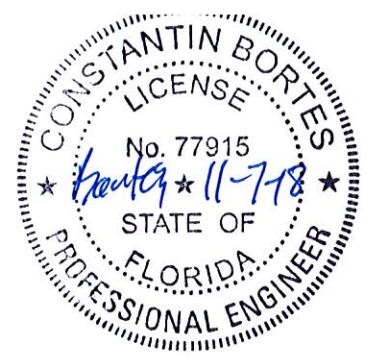


BLACKWATER TESTING INC.

7341 Westport Pl Suite 1A, West Palm Beach Fl. 33413




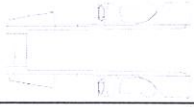


Phone: 561-508-2830 E-mail: Engdep@blackwatertesting.com

REPORT NO: BT-AUV-18-001 MIAMI-DADE CERTIFICATION #17-1010.33



Constantin Bortes
11/07/2018

Bill of Materials

	<u>PARTS</u>	<u>DESCRIPTION</u>	<u>MATERIAL</u>
	PL1 300	Aluminum Extruded Profile	Aluminum 6063 T6
	PL1 200	Aluminum Extruded Profile	Aluminum 6063 T6
	CLAMPS (PZ 12+12.2)	Glass Clamp	Nylon PA6 and Inox 316
	CLAMPS (PZ 10+10.2)	Glass Clamp	Nylon PA6 and Inox 316
	KL	Aluminum carter	Aluminum 6060-T6
	GU	Rubber gasket	Rubber
\	M10 Bolt	Anchorage	Inox 316

Hardness:

A "Webster" gauge was used to determine the material hardness of aluminum components.

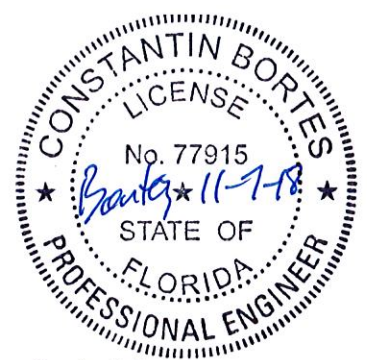


BLACKWATER TESTING INC.

7341 Westport Pl Suite 1A, West Palm Beach Fl. 33413

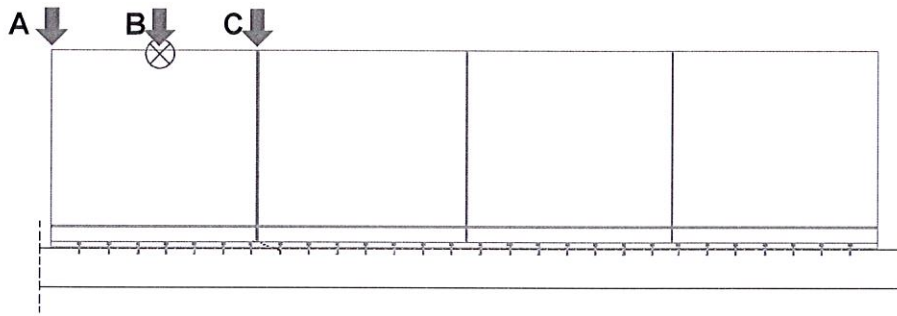
Phone: 561-508-2830 E-mail: Engdep@blackwatertesting.com

REPORT NO: BT-AUV-18-001 MIAMI-DADE CERTIFICATION #17-1010.33



Constantin Bortes
11/07/2018

TEST RESULTS



Mock Up 1

CONCENTRATED LOAD		T (°C/F)		25/77		Load (lb)		Safety Factor
						400		2
PULL 1		A		B		C		
Sample	Orientation	Defl (in)	PermSet (in)	Defl (in)	PermSet (in)	Defl (in)	PermSet (in)	Result
MU 1	z*	1.000	0.000	1.500	0.000	1.125	0.000	PASS
MU 1	y**	0.000	0.000	0.375	0.000	0.000	0.000	PASS
Note: z* Out direction y** Down direction								

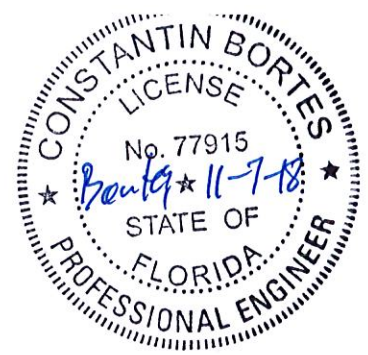


BLACKWATER TESTING INC.

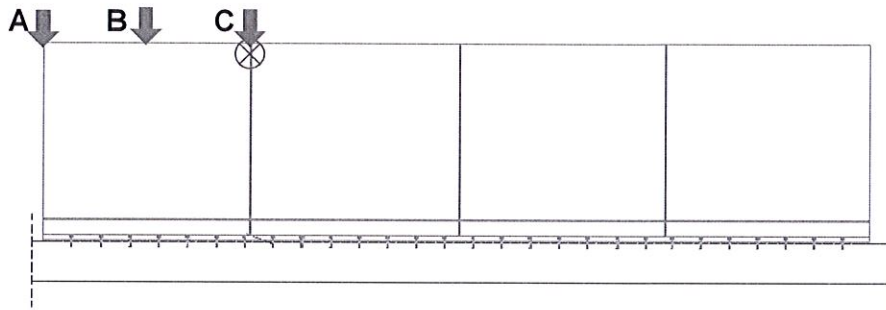
7341 Westport PI Suite 1A, West Palm Beach Fl. 33413

Phone: 561-508-2830 E-mail: Engdep@blackwatertesting.com

REPORT NO: BT-AUV-18-001 MIAMI-DADE CERTIFICATION #17-1010.33



Constantin Bortes
11/07/2018



Mock Up 1

CONCENTRATED LOAD		T (°C/F)		25/77		Load (lb)		Safety Factor	
				400		2			
PULL 2		A		B		C			
Sample	Orientation	Defl (in)	PermSet (in)	Defl (in)	PermSet (in)	Defl (in)	PermSet (in)	Result	
MU 1	z*	0.875	0.000	1.000	0.1875	1.500	0.25	PASS	
MU 1	y**	0.000	0.000	0.000	0.000	0.375	0.000	PASS	

Note:
z* Out direction
y** Down direction



BLACKWATER TESTING INC.

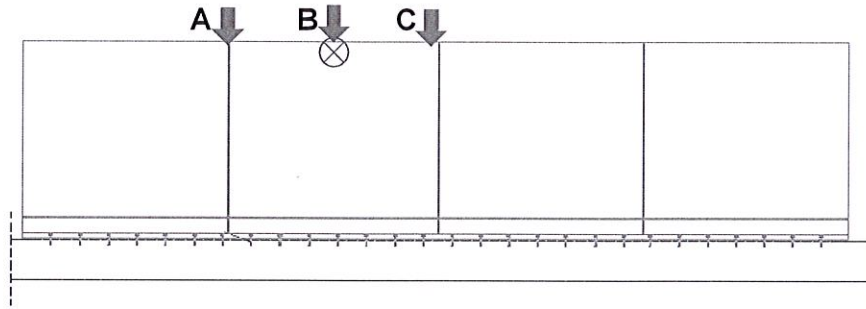
7341 Westport Pl Suite 1A, West Palm Beach Fl. 33413

Phone: 561-508-2830 E-mail: Engdep@blackwatertesting.com

REPORT NO: BT-AUV-18-001 MIAMI-DADE CERTIFICATION #17-1010.33



Constantin Bortes
11/07/2018



Mock Up 1

CONCENTRATED LOAD		T (°C/F)		25/77		Load (lb)		Safety Factor	
				400		2			
PULL 3		A		B		C			
Sample	Orientation	Defl (in)	PermSet (in)	Defl (in)	PermSet (in)	Defl (in)	PermSet (in)	Result	
MU 1	z*	0.750	0.000	1.125	0.000	1.000	0.000	PASS	
MU 1	y**	0.000	0.000	0.000	0.000	0.000	0.000	PASS	
Note: z* Out direction y** Down direction									



BLACKWATER TESTING INC.

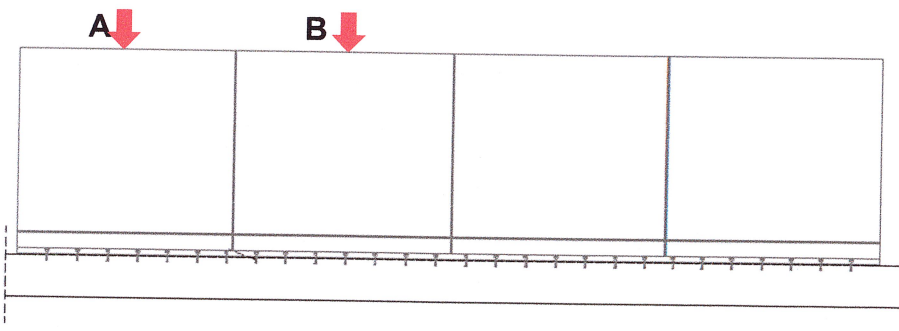
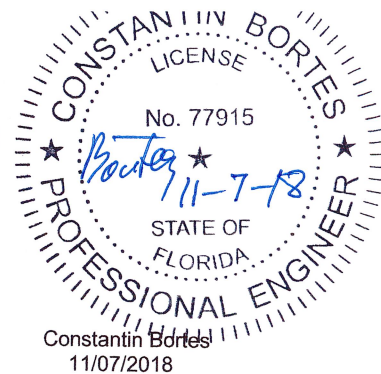
7341 Westport PI Suite 1A, West Palm Beach Fl. 33413

Phone: 561-508-2830

E-mail: Engdep@blackwatertesting.com

REPORT NO: BT-AUV-18-001

MIAMI-DADE CERTIFICATION #17-1010.33



↓ GAUGE LOCATION

Mock Up 1

STATIC LOAD			DP	POS	+120	T	25/77
				NEG	-120	C/F	
POSITIVE LOAD							
LOAD			A		B		
	Psf	Pa	Defl(in)	Perm.Set(in)	Defl(in)	Perm.Set(in)	
0.75 DP	90	4309	2.750	0.125	3.000	0.125	
DP	120	5746	3.625	0.375	3.875	0.250	
2 DP	240	11491	6.375	0.625	6.500	0.500	
NEGATIVE LOAD							
LOAD			A		B		
	Psf	Pa	Defl(in)	Perm.Set(in)	Defl(in)	Perm.Set(in)	
0.75 DP	-90	-4309	2.750	0.125	2.750	0.250	
DP	-120	-5746	3.750	0.375	3.875	0.375	
2 DP	-240	-11491	6.750	0.625	6.500	0.500	

The Uniform Static Air Pressure Test was conducted as per TAS 202-94 (ASTM E330/E300M-14)



BLACKWATER TESTING INC.

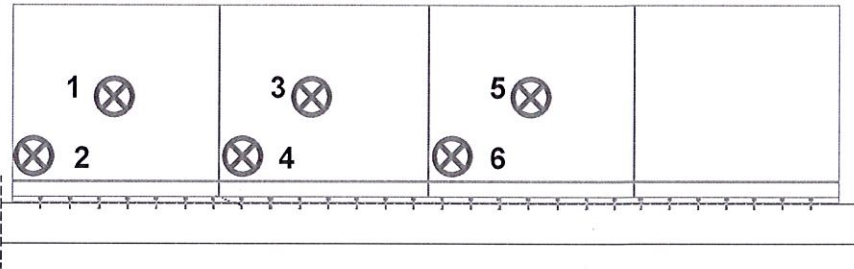
7341 Westport Pl Suite 1A, West Palm Beach Fl. 33413

Phone: 561-508-2830 E-mail: Engdep@blackwatertesting.com

REPORT NO: BT-AUV-18-001 MIAMI-DADE CERTIFICATION #17-1010.33



Constantin Bortes
11/07/2018



⊗ IMPACT LOCATION

Mock Up1

LARGE MISSILE IMPACT RESULTS					
SHOT	AREA	x (in)	y (in)	VELOCITY (ft/s)	RESULT
1	CENTER	24	25	49.5	PASS
2	BOTTOM CORNER	6	6	49.5	PASS
3	CENTER	71	25	49.6	PASS
4	BOTTOM CORNER	54	6	49.7	PASS
5	CENTER	119	25	50	PASS
6	BOTTOM CORNER	100	6.5	49.5	PASS

Notes:
1. Large Missile Impact S4S, 2x4, of No. 2 Southern Pine Lumber.
2. Impact location is given on Cartesian Grid, right (x) and up (y) from lower left hand corner.
3. The location description is relative to the product assembly i.e. Corner, Center, and Left Center.
4. Impact velocity measured with a Keyence KV-16DR, verified by the video method.

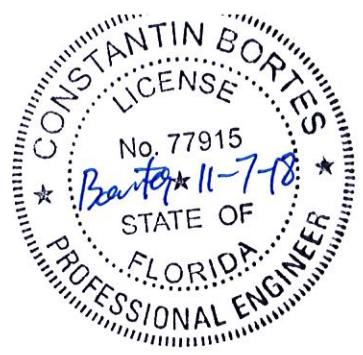


BLACKWATER TESTING INC.

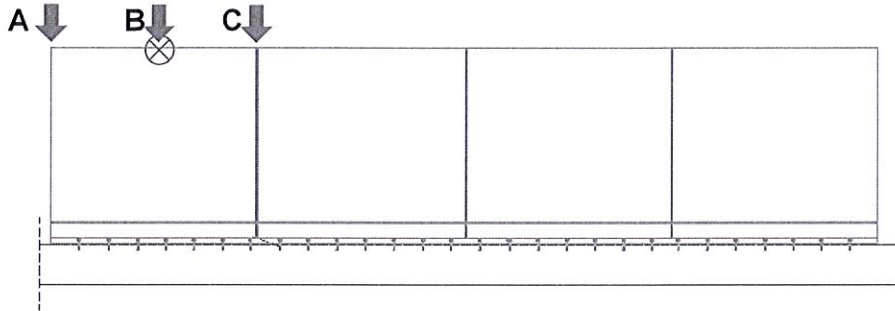
7341 Westport PI Suite 1A, West Palm Beach Fl. 33413

Phone: 561-508-2830 E-mail: Engdep@blackwatertesting.com

REPORT NO: BT-AUV-18-001 MIAMI-DADE CERTIFICATION #17-1010.33



Constantin Bortes
11/07/2018



Mock Up 1

CONCENTRATED LOAD		T (°C/F)	25/77		Load (lb)		Safety Factor	
					400		2	
PULL 1		A	B		C			
Sample	Orientation	Results	Results		Results			
MU 1	z*	Pass	Pass		Pass			
MU 1	y**	Pass	Pass		Pass			
Note: z* Out direction y** Down direction								



BLACKWATER TESTING INC.

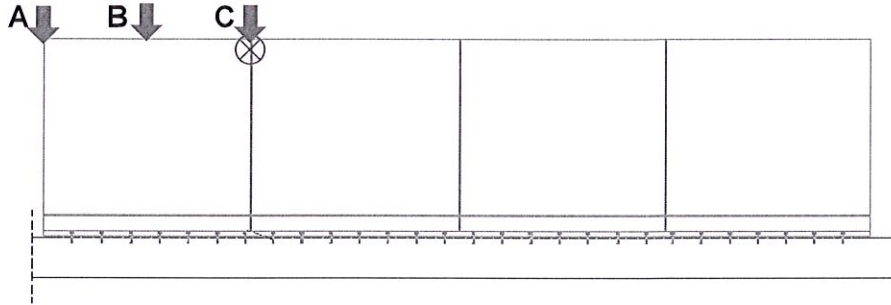
7341 Westport PI Suite 1A, West Palm Beach Fl. 33413

Phone: 561-508-2830 E-mail: Engdep@blackwatertesting.com

REPORT NO: BT-AUV-18-001 MIAMI-DADE CERTIFICATION #17-1010.33



Constantin Bortes
11/07/2018



Mock Up 1

CONCENTRATED LOAD		T (°C/F)	25/77	Load (lb)		Safety Factor	
				400		2	
PULL 2		A	B		C		
Sample	Orientation	Results	Results		Results		
MU 1	z*	Pass	Pass		Pass		
MU 1	y**	Pass	Pass		Pass		
Note: z* Out direction y** Down direction							



BLACKWATER TESTING INC.

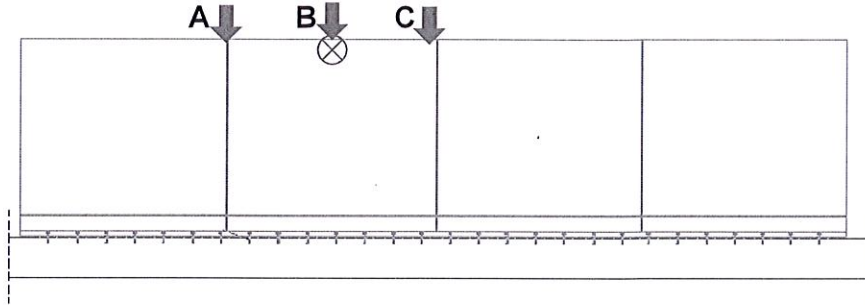
7341 Westport Pl Suite 1A, West Palm Beach Fl. 33413

Phone: 561-508-2830 E-mail: Engdep@blackwatertesting.com

REPORT NO: BT-AUV-18-001 MIAMI-DADE CERTIFICATION #17-1010.33



Constantin Bortes
11/07/2018



Mock Up 1

CONCENTRATED LOAD		T (°C/F)	Load (lb)		Safety Factor
		25/77	400		2
PULL 3		A	B	C	
Sample	Orientation	Results	Results	Results	
MU 1	z*	Pass	Pass	Pass	
MU 1	y**	Pass	Pass	Pass	
Note: z* Out direction y** Down direction					

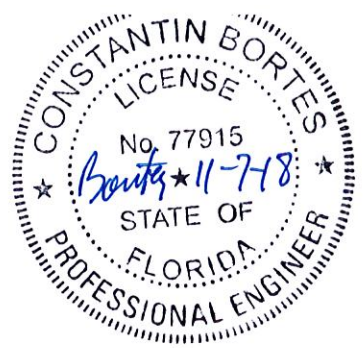


BLACKWATER TESTING INC.

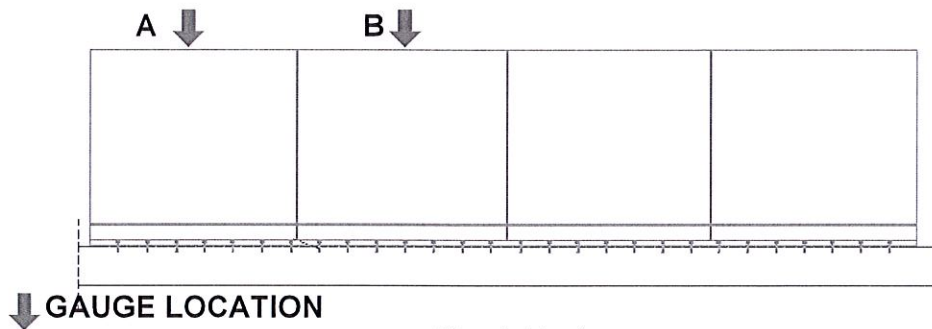
7341 Westport Pl Suite 1A, West Palm Beach Fl. 33413

Phone: 561-508-2830 E-mail: Engdep@blackwatertesting.com

REPORT NO: BT-AUV-18-001 MIAMI-DADE CERTIFICATION #17-1010.33



Constantin Bortes
11/07/2018



Mock Up 1

STATIC LOAD			DP	POS	+120	T C/F	25/77
				NEG	-120		
POSITIVE LOAD							
LOAD			A		B		
	Psf	Pa	Results		Results		
DP	120	5746	Pass		Pass		
NEGATIVE LOAD							
LOAD			A		B		
	Psf	Pa	Results		Results		
DP	-120	-5746	Pass		Pass		
<i>The Uniform Static Air Pressure Test was conducted as per TAS 202-94 (ASTM E330/E300M-14)</i>							

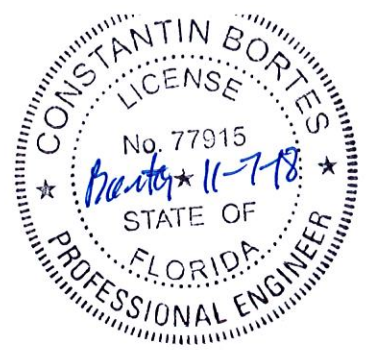


BLACKWATER TESTING INC.

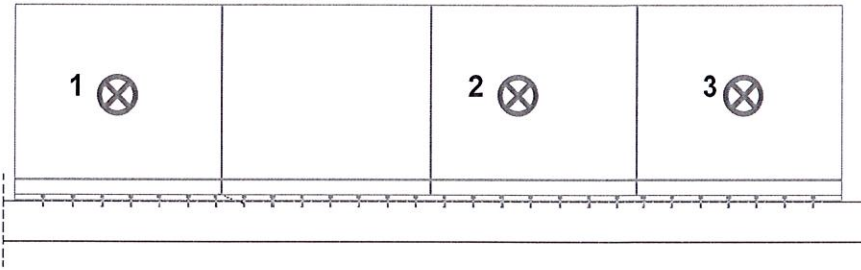
7341 Westport Pl Suite 1A, West Palm Beach Fl. 33413

Phone: 561-508-2830 E-mail: Engdep@blackwatertesting.com

REPORT NO: BT-AUV-18-001 MIAMI-DADE CERTIFICATION #17-1010.33



Constantin Bortes
11/07/2018



⊗ IMPACT LOCATION

Mock Up 1

IMPACT 100lb @ 400ft lb				DROP CLASS	A
SHOT	AREA	x (in)	y (in)	RESULT	
1	1 st PANE CENTER	24	25	PASS	
2	2 nd PANE CENTER	120	24	PASS	
3	3 rd PANE CENTER	167	25	PASS	

Test was realized following test procedures described in ANSI Z97.1 2015
Coordinate origin bottom left hand corner for SHOT 1, 2 and 3 per panel

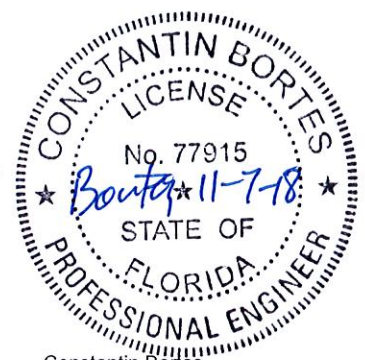


BLACKWATER TESTING INC.

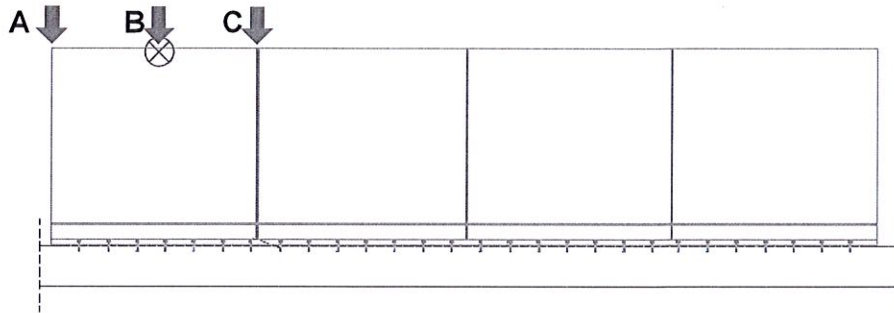
7341 Westport Pl Suite 1A, West Palm Beach Fl. 33413

Phone: 561-508-2830 E-mail: Engdep@blackwatertesting.com

REPORT NO: BT-AUV-18-001 MIAMI-DADE CERTIFICATION #17-1010.33



Constantin Bortes
11/07/2018



Mock Up 2

CONCENTRATED LOAD		T (°C/F)		25/77		Load (lb)		Safety Factor	
				400		2			
PULL 1		A		B		C			
Sample	Orientation	Defl (in)	PermSet (in)	Defl (in)	PermSet (in)	Defl (in)	PermSet (in)	Result	
MU 1	z*	1.625	0.000	1.625	0.125	1.625	0.125	PASS	
MU 1	y**	0.000	0.000	0.000	0.125	0.000	0.000	PASS	

Note:
z* Out direction
y** Down direction

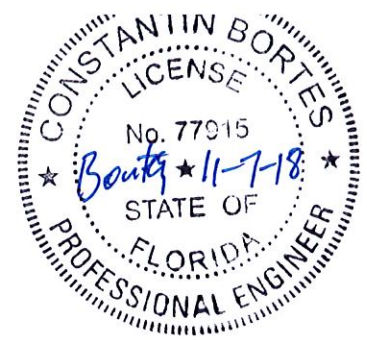


BLACKWATER TESTING INC.

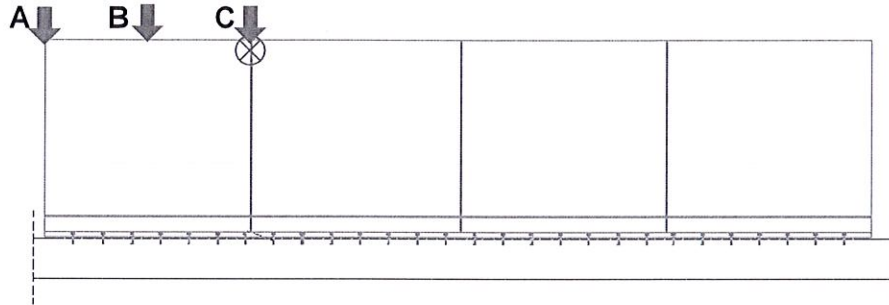
7341 Westport Pl Suite 1A, West Palm Beach Fl. 33413

Phone: 561-508-2830 E-mail: Engdep@blackwatertesting.com

REPORT NO: BT-AUV-18-001 MIAMI-DADE CERTIFICATION #17-1010.33



Constantin Bortes
11/07/2018



Mock Up 2

CONCENTRATED LOAD		T (°C/F)		25/77		Load (lb)		Safety Factor
						400		2
PULL 2		A		B		C		
Sample	Orientation	Defl (in)	PermSet (in)	Defl (in)	PermSet (in)	Defl (in)	PermSet (in)	Result
MU 2	z*	1.625	0.000	1.625	0.000	1.750	0.125	PASS
MU 2	y**	0.000	0.000	0.125	0.000	0.125	0.000	PASS

Note:
z* Out direction
y** Down direction

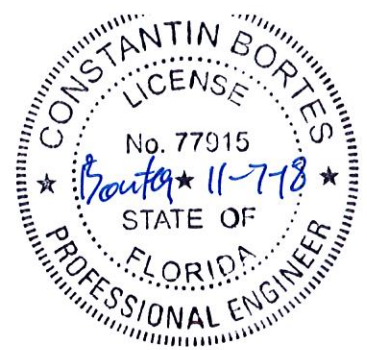


BLACKWATER TESTING INC.

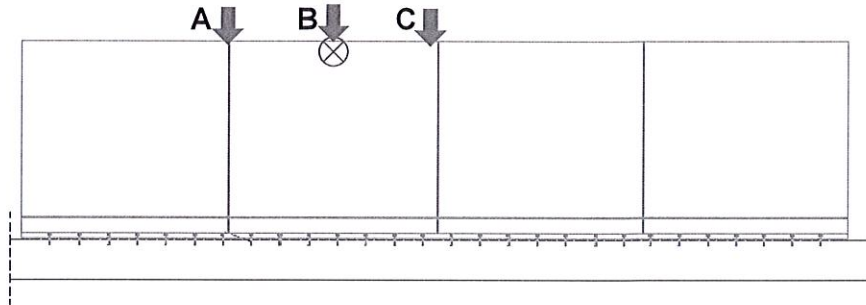
7341 Westport PI Suite 1A, West Palm Beach Fl. 33413

Phone: 561-508-2830 E-mail: Engdep@blackwatertesting.com

REPORT NO: BT-AUV-18-001 MIAMI-DADE CERTIFICATION #17-1010.33



Constantin Bortes
11/07/2018



Mock Up 2

CONCENTRATED LOAD		T (°C/F)		Load (lb)		Safety Factor		
		25/77		400		2		
PULL 3		A		B		C		
Sample	Orientation	Defl (in)	PermSet (in)	Defl (in)	PermSet (in)	Defl (in)	PermSet (in)	Result
MU 2	z*	1.500	0.000	1.625	0.250	1.500	0.125	PASS
MU 2	y**	0.000	0.000	0.125	0.000	0.000	0.000	PASS

Note:
z* Out direction
y** Down direction

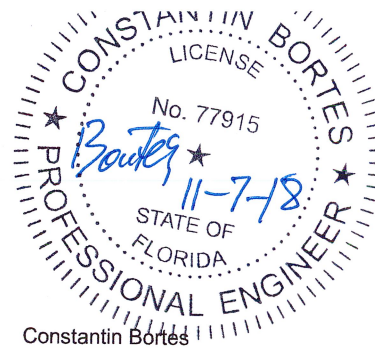


BLACKWATER TESTING INC.

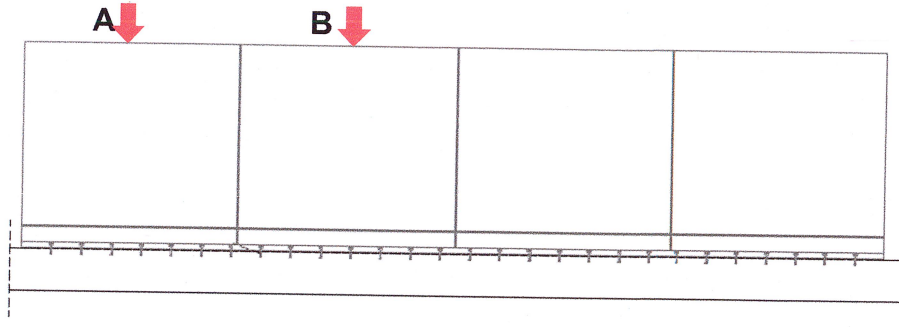
7341 Westport Pl Suite 1A, West Palm Beach Fl. 33413

Phone: 561-508-2830 E-mail: Engdep@blackwatertesting.com

REPORT NO: BT-AUV-18-001 MIAMI-DADE CERTIFICATION #17-1010.33



Constantin Bortes
11/07/2018



↓ GAUGE LOCATION

Mock Up 2

STATIC LOAD			DP	POS	+90	T C/F	25/77
				NEG	-90		
POSITIVE LOAD							
LOAD			A		B		
	Psf	Pa	Defl(in)	Perm.Set(in)	Defl(in)	Perm.Set(in)	
0.75 DP	67.5	3232	1.750	0.125	1.500	0.125	
DP	90	4309	2.500	0.438	2.750	0.500	
2 DP	180	8618	5.625	0.875	5.500	1.000	
NEGATIVE LOAD							
LOAD			A		B		
	Psf	Pa	Defl(in)	Perm.Set(in)	Defl(in)	Perm.Set(in)	
0.75 DP	-67.5	-3232	1.500	0.250	1.625	0.313	
DP	-90	-4309	2.750	0.500	2.875	0.500	
2 DP	-180	-8618	6.00	1.125	5.875	0.875	
<i>The Uniform Static Air Pressure Test was conducted as per TAS 202-94 (ASTM E330/E300M-14)</i>							

Reports pertaining to the samples tested only and may not be reproduced without permission. Copyright 2018



BLACKWATER TESTING INC.

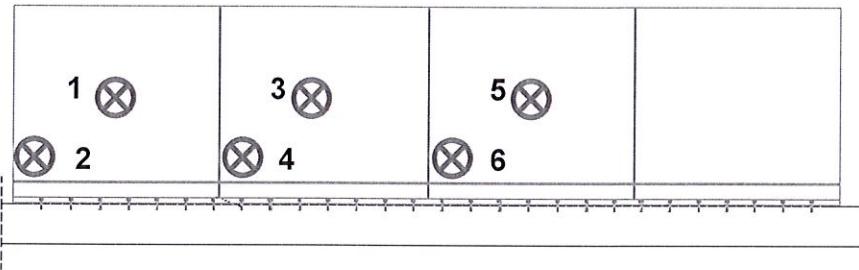
7341 Westport PI Suite 1A, West Palm Beach Fl. 33413

Phone: 561-508-2830 E-mail: Engdep@blackwatertesting.com

REPORT NO: BT-AUV-18-001 MIAMI-DADE CERTIFICATION #17-1010.33



Constantin Bortes
11/07/2018



IMPACT LOCATION

Mock Up 2

LARGE MISSILE IMPACT RESULTS					
SHOT	AREA	x (in)	y (in)	VELOCITY (ft/s)	RESULT
1	CENTER	24	25	130	PASS
2	BOTTOM CORNER	6	6	130	PASS
3	CENTER	70	25	130	PASS
4	BOTTOM CORNER	54	6	130	PASS
5	CENTER	119	26	130	PASS
6	BOTTOM CORNER	100	6	130	PASS
Notes: Measurements taken from bottom left corner.					



BLACKWATER TESTING INC.

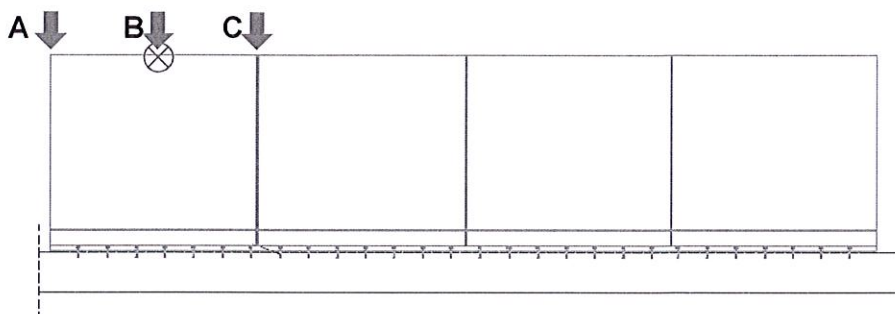
7341 Westport PI Suite 1A, West Palm Beach Fl. 33413

Phone: 561-508-2830 E-mail: Engdep@blackwatertesting.com

REPORT NO: BT-AUV-18-001 MIAMI-DADE CERTIFICATION #17-1010.33



Constantin Bortes
11/07/2018



Mock Up 2

CONCENTRATED LOAD		T (°C/F)	25/77		Load (lb)	Safety Factor
			400		2	
PULL 1		A	B	C		
Sample	Orientation	Results	Results	Results		
MU 2	z*	Pass	Pass	Pass		
MU 2	y**	Pass	Pass	Pass		
Note: z* Out direction y** Down direction						

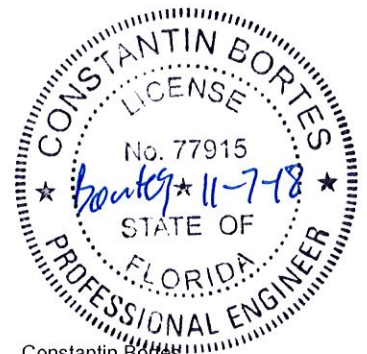


BLACKWATER TESTING INC.

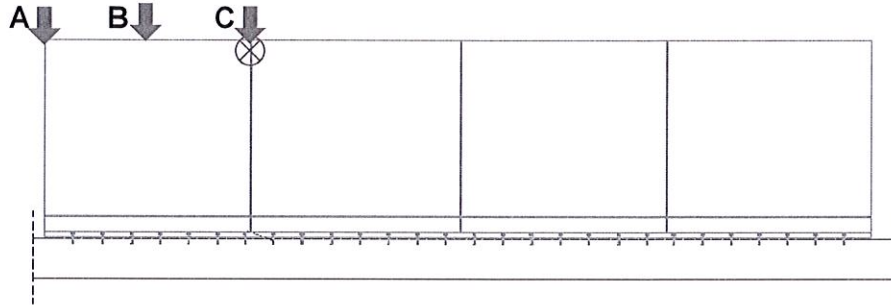
7341 Westport PI Suite 1A, West Palm Beach Fl. 33413

Phone: 561-508-2830 E-mail: Engdep@blackwatertesting.com

REPORT NO: BT-AUV-18-001 MIAMI-DADE CERTIFICATION #17-1010.33



Constantin Bortes
11/07/2018



CONCENTRATED LOAD		T (°C/F)	25/77		Load (lb)	Safety Factor
			400		2	
PULL 2		A	B		C	
Sample	Orientation	Results	Results		Results	
MU 2	z*	Pass	Pass		Pass	
MU 2	y**	Pass	Pass		Pass	
Note: z* Out direction y** Down direction						

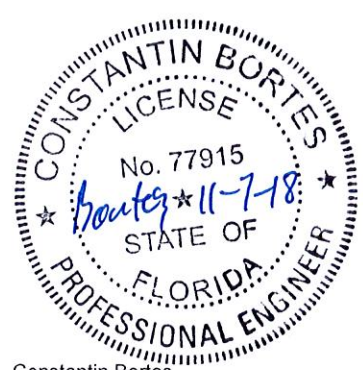


BLACKWATER TESTING INC.

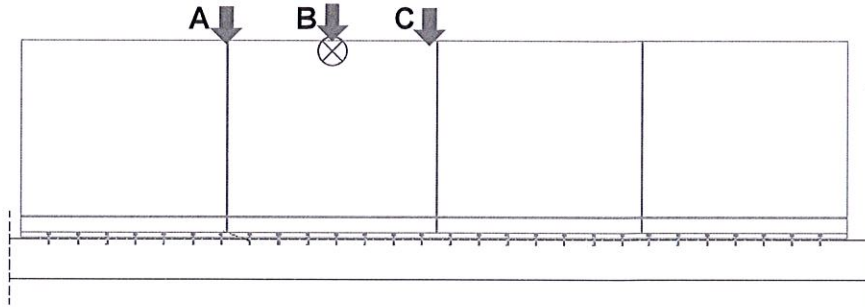
7341 Westport Pl Suite 1A, West Palm Beach Fl. 33413

Phone: 561-508-2830 E-mail: Engdep@blackwatertesting.com

REPORT NO: BT-AUV-18-001 MIAMI-DADE CERTIFICATION #17-1010.33



Constantin Bortes
11/07/2018



Mock Up 2

CONCENTRATED LOAD		T (°C/F)	25/77			Safety Factor
			Load (lb)			
			400			2
PULL 3		A	B	C		
Sample	Orientation	Results	Results	Results		
MU 2	z*	Pass	Pass	Pass		
MU 2	y**	Pass	Pass	Pass		
Note: z* Out direction y** Down direction						

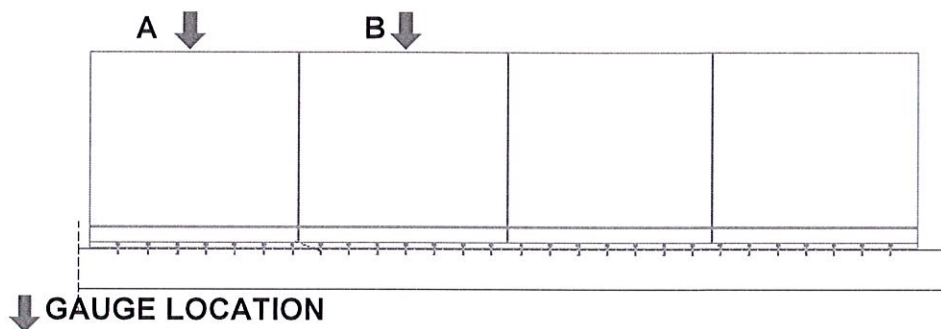
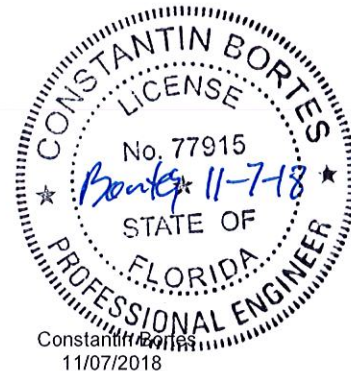


BLACKWATER TESTING INC.

7341 Westport Pl Suite 1A, West Palm Beach Fl. 33413

Phone: 561-508-2830 E-mail: Engdep@blackwatertesting.com

REPORT NO: BT-AUV-18-001 MIAMI-DADE CERTIFICATION #17-1010.33



Mock Up 2

STATIC LOAD		DP	POS	+90	T C/F	25/77
			NEG	-90		
POSITIVE LOAD						
LOAD			A	B		
	Psf	Pa	Results	Results		
DP	90	4309	Pass	Pass		
NEGATIVE LOAD						
LOAD			A	B		
	Psf	Pa	Results	Results		
DP	-90	-4309	Pass	Pass		
<i>The Uniform Static Air Pressure Test was conducted as per TAS 202-94 (ASTM E330/E300M-14)</i>						

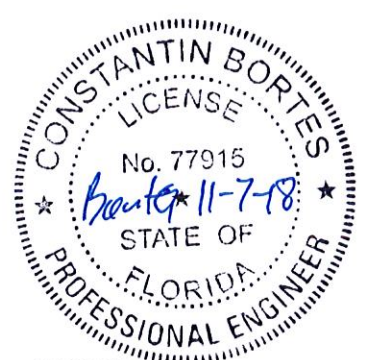


BLACKWATER TESTING INC.

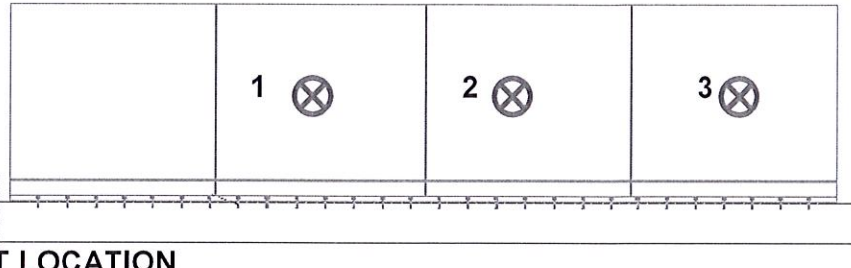
7341 Westport Pl Suite 1A, West Palm Beach Fl. 33413

Phone: 561-508-2830 E-mail: Engdep@blackwatertesting.com

REPORT NO: BT-AUV-18-001 MIAMI-DADE CERTIFICATION #17-1010.33



Constantin Bortes
11/07/2018



IMPACT LOCATION

Mock Up2

IMPACT 100lb @ 400ft lb				DROP CLASS	A
SHOT	AREA	x (in)	y (in)	RESULT	
1	1 st PANE CENTER	24	25	PASS	
2	2nd PANCE CENTER	120	24	PASS	
3	3rd PANE CENTER	167	25	PASS	

Test was realized following test procedures described in ANSI Z97.1 2015
Coordinate origin bottom left hand corner for SHOT 1, 2 and 3 per panel



BLACKWATER TESTING INC.

7341 Westport Pl Suite 1A, West Palm Beach Fl. 33413

Phone: 561-508-2830 E-mail: Engdep@blackwatertesting.com

REPORT NO: BT-AUV-18-001 MIAMI-DADE CERTIFICATION #17-1010.33



Test Dates: Start:10/08/2018 End: 10/12/2018

SUMMARY OF TESTING FOR "GARDA SP300 (PL1 300) & SP200 (PL1 200)"

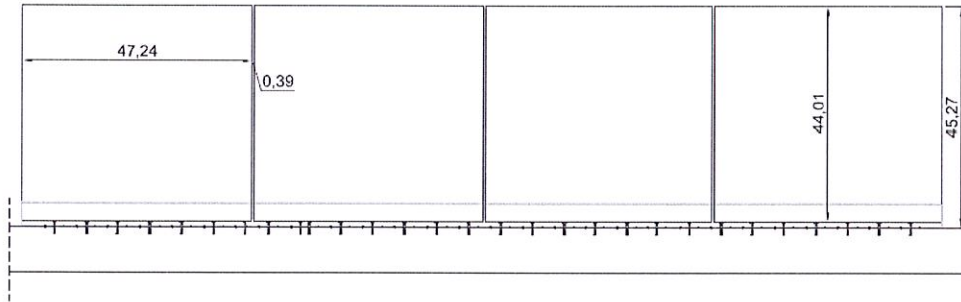
Client:

Aluetro

Via Lombardia 4/6,

25034 Orzinuovi (BS) - ITALIA

Phone: +39 030 9444433 Fax: +39 030 9946653



Mock Up 1 and Mock Up 2

CONCENTRATED LOAD: Mock Ups 1 & 2 were subjected to concentrated load of 200 lb for FBC 1607.8.1.1.

STATIC LOAD: Mock Ups 1 & 2 passed testing criteria for static load as per TAS 202-94, ASTM E330/E330M-04.

IMPACT TEST: Mock Up 1 passed testing criteria for Large Missile Impact as per TAS 201-94, ASTM E1886-13a and E1996-14a. Mock Up 2 passed testing criteria for Small Missile Impact as per TAS 201-94, ASTM E1886-13a and E1996-14a.

CONCENTRATED LOAD: Mock Ups 1 & 2 were subjected to concentrated load of 200 lb for FBC 1607.8.1.1.

STATIC LOAD: Mock Ups 1 & 2 passed testing criteria for static load as per TAS 202-94, ASTM E330/E330M-04.

ANSI Z97.1: Mock Ups 1 & 2 passed testing criteria for static load as per ANSI Z97.1 with no failure.

CONCLUSION: Following testing Mock Ups 1 & 2, no failures were observed in the panes or anchorages.

The "GARDA SP300(PL1 300) & SP200(PL1 200)" railings products were tested in accordance with and meet the requirements to comply with Florida Building Code 2017.

Respectfully submitted,

BLACKWATER TESTING INC.

(Miami-Dade Certification #17-1010.33)



NOV 07 2018

Dennis Duffy, CEO

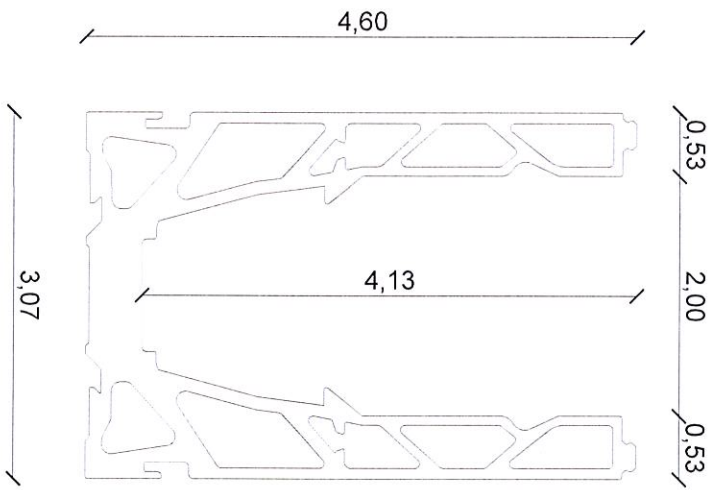
Reports pertaining to the samples tested only and may not be reproduced without permission. Copyright 2018

Continuous aluminium shoe (PL1 200)
Extruded aluminium 6063 T6

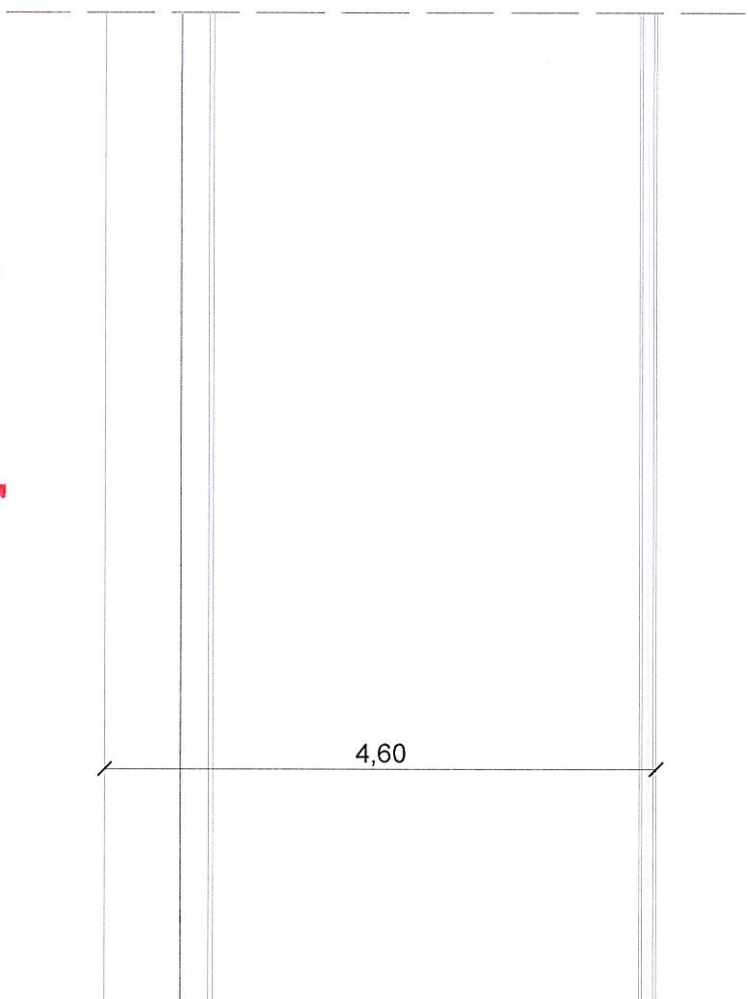


ALUVETRO
LO SGUARDO OLTRE

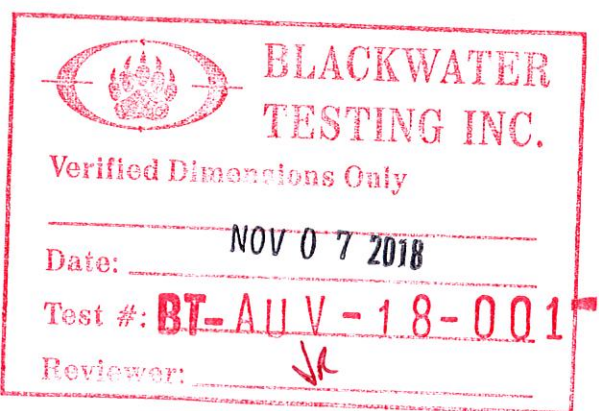
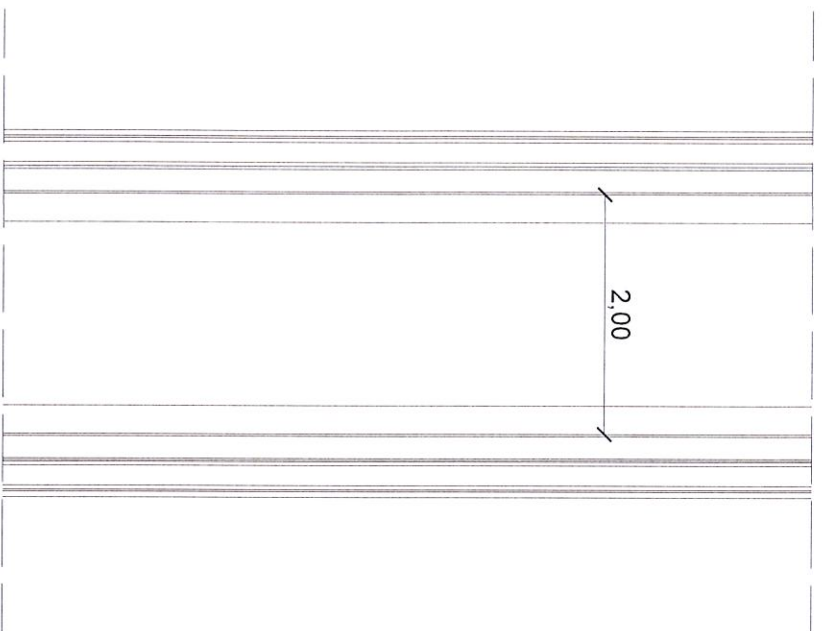
SECTION



PROSPETTUS



PLAN

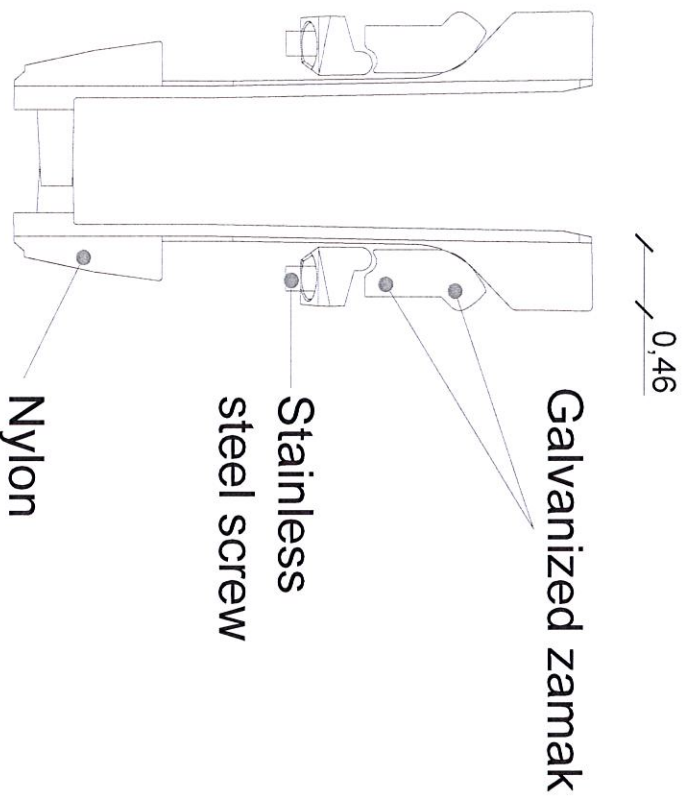


Clamp for glass 10/10

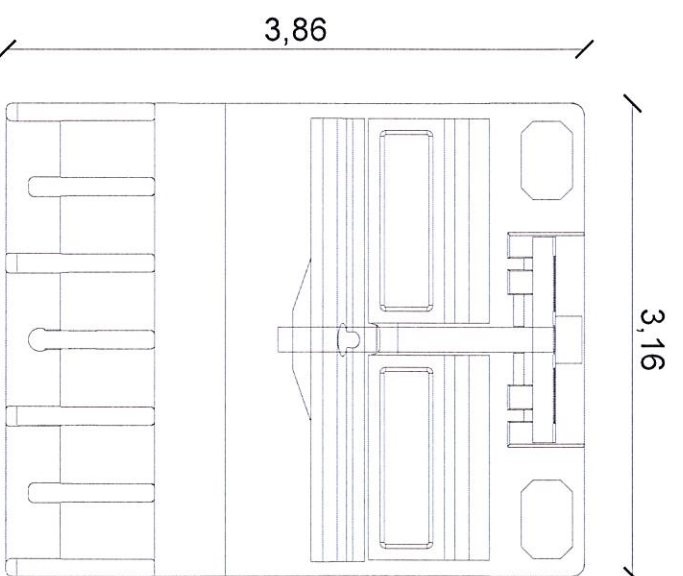


ALUVETRO
LO SGUARDO OLTRE

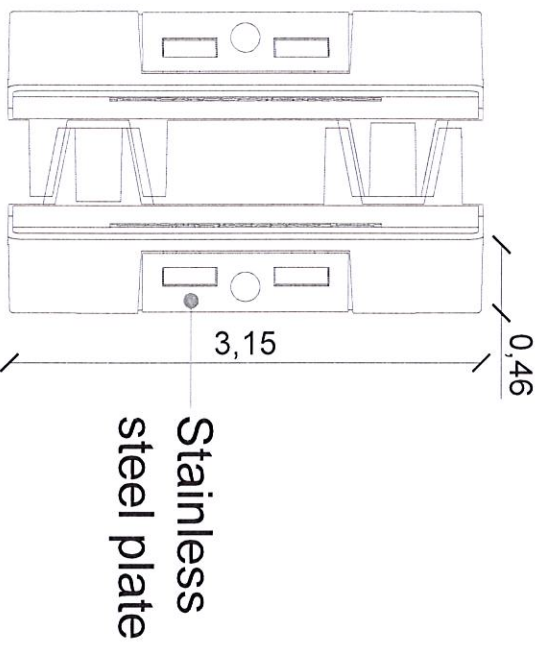
SECTION



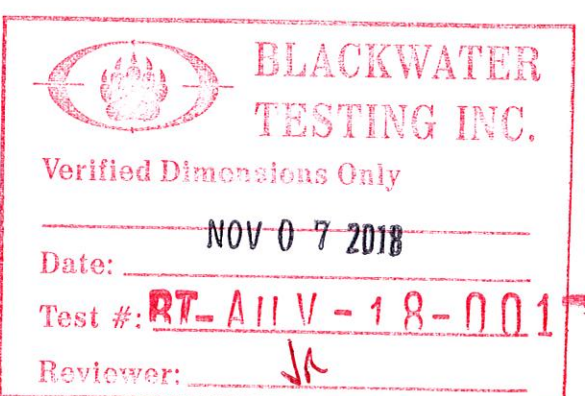
PROSPETTUS



PLAN



1/8/1

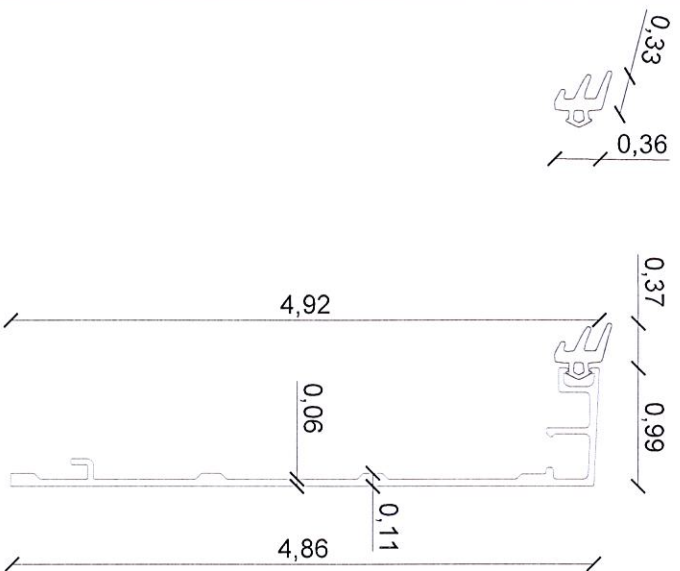


Lateral carter (KL) +
rubber gasket Rubber gasket beetwen
carter and glass 10/10 (GUB 2)
Extruded aluminum 6060

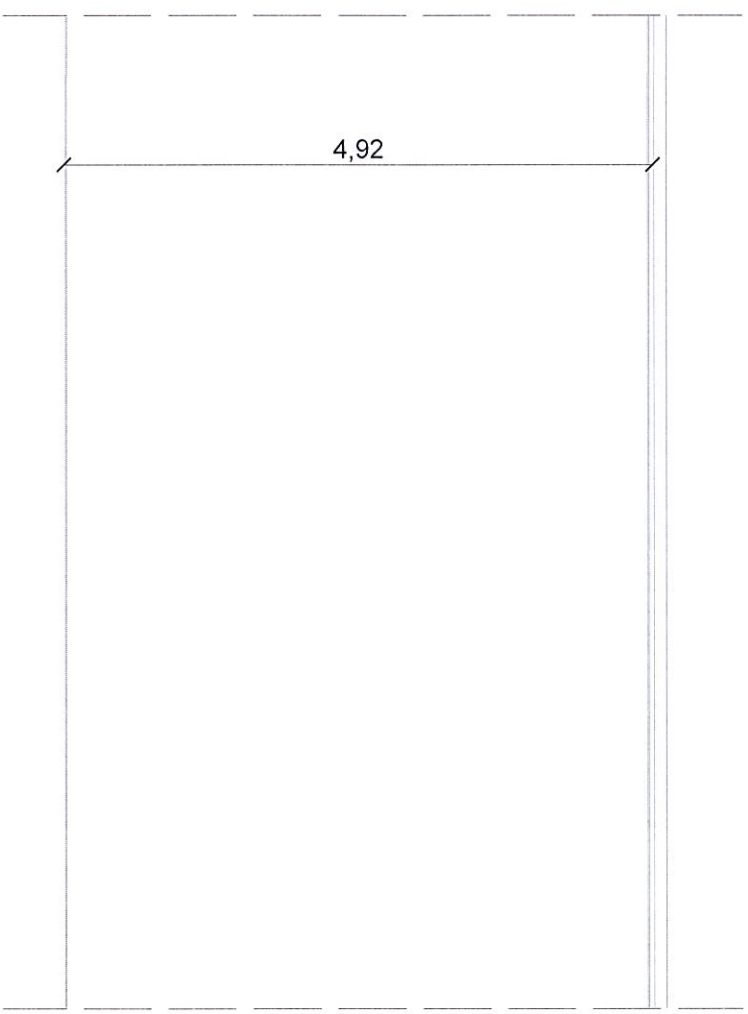


ALUVETRO
LO SGUARDO OLTRE

SECTION




PROSPETTUS



PLAN



Handwritten red mark

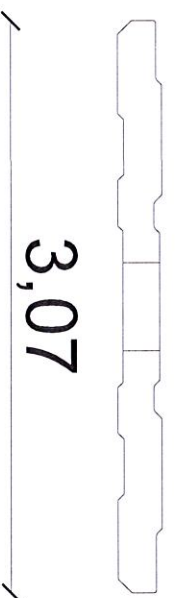
 **BLACKWATER TESTING INC.**
Verified Dimensions Only
Date: NOV-07-2018
Test #: 18-001
Reviewer: *[Signature]*

Drain water system



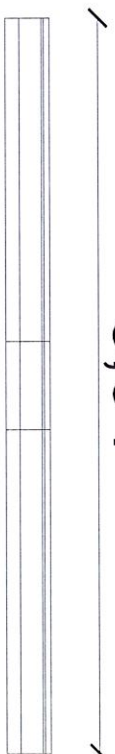
ALUVETRO
LO SGUARDO OLTRE

SECTION



3,07

PROSPETTUS

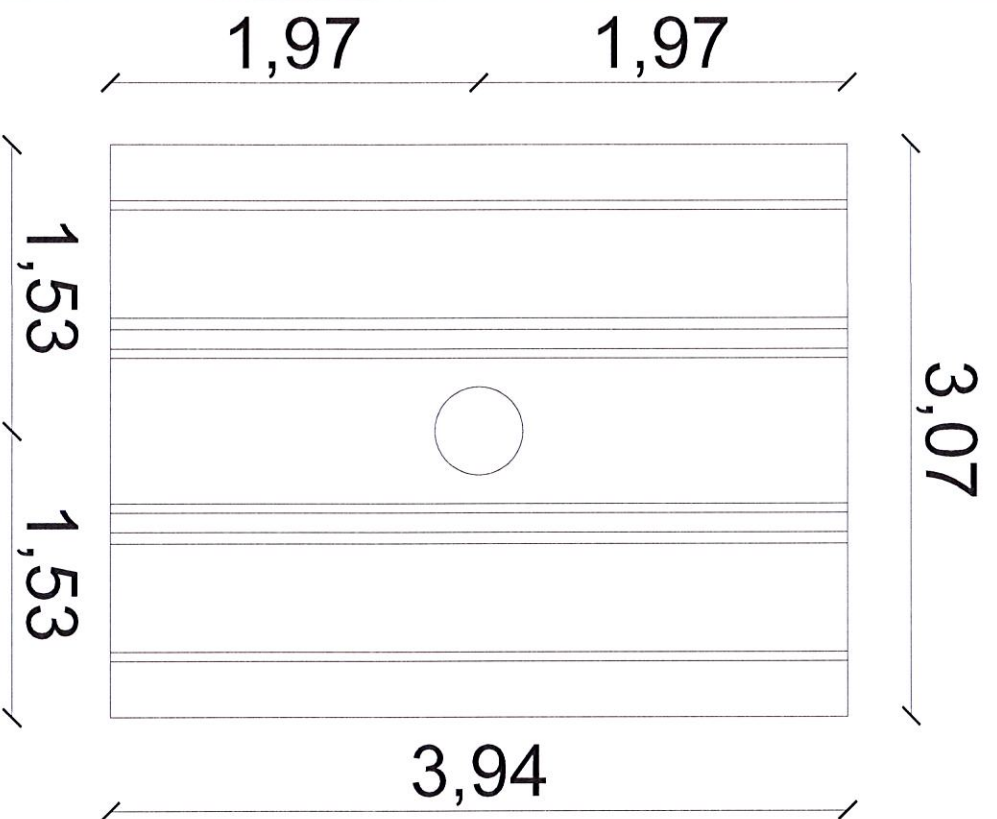



3,94

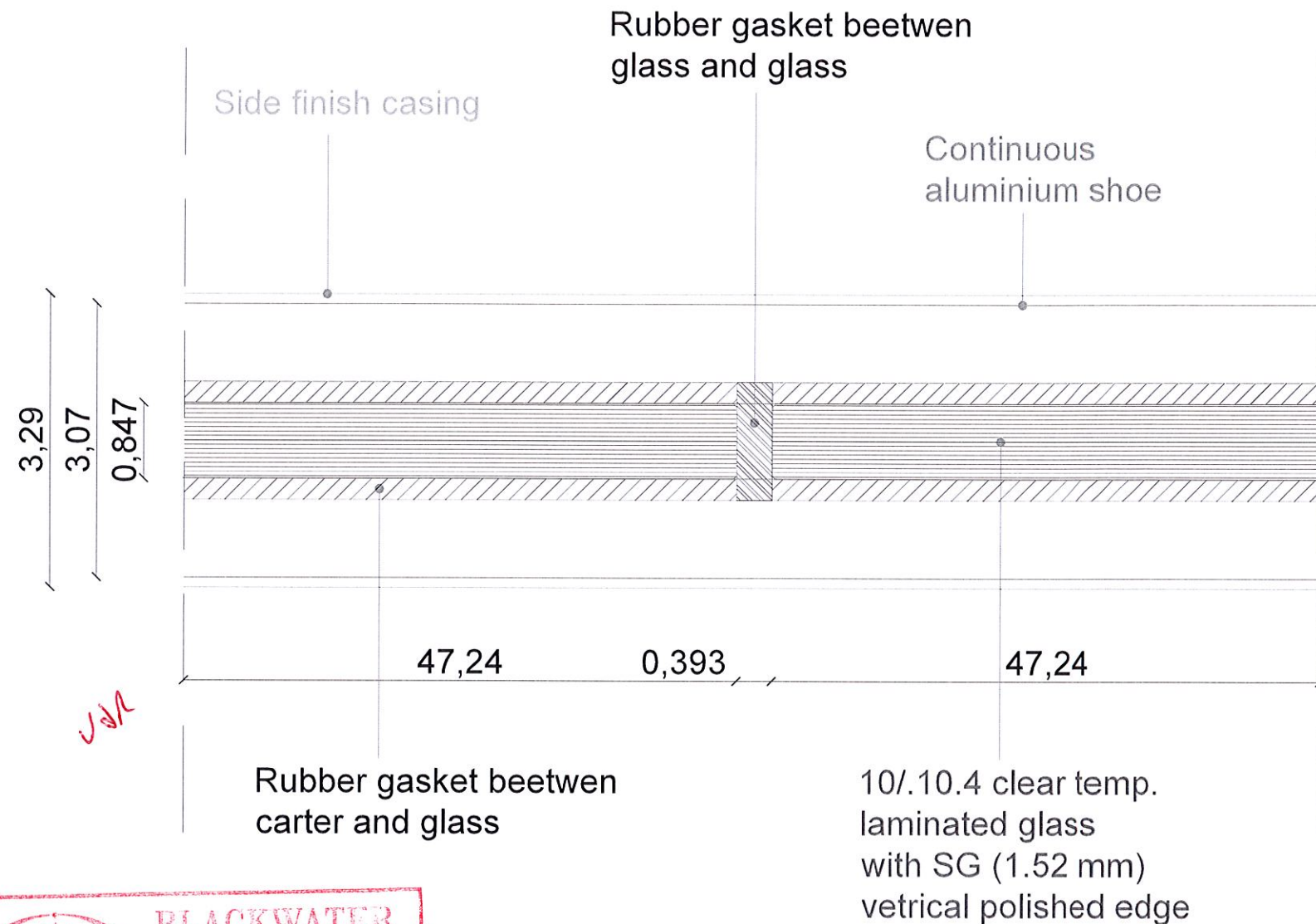
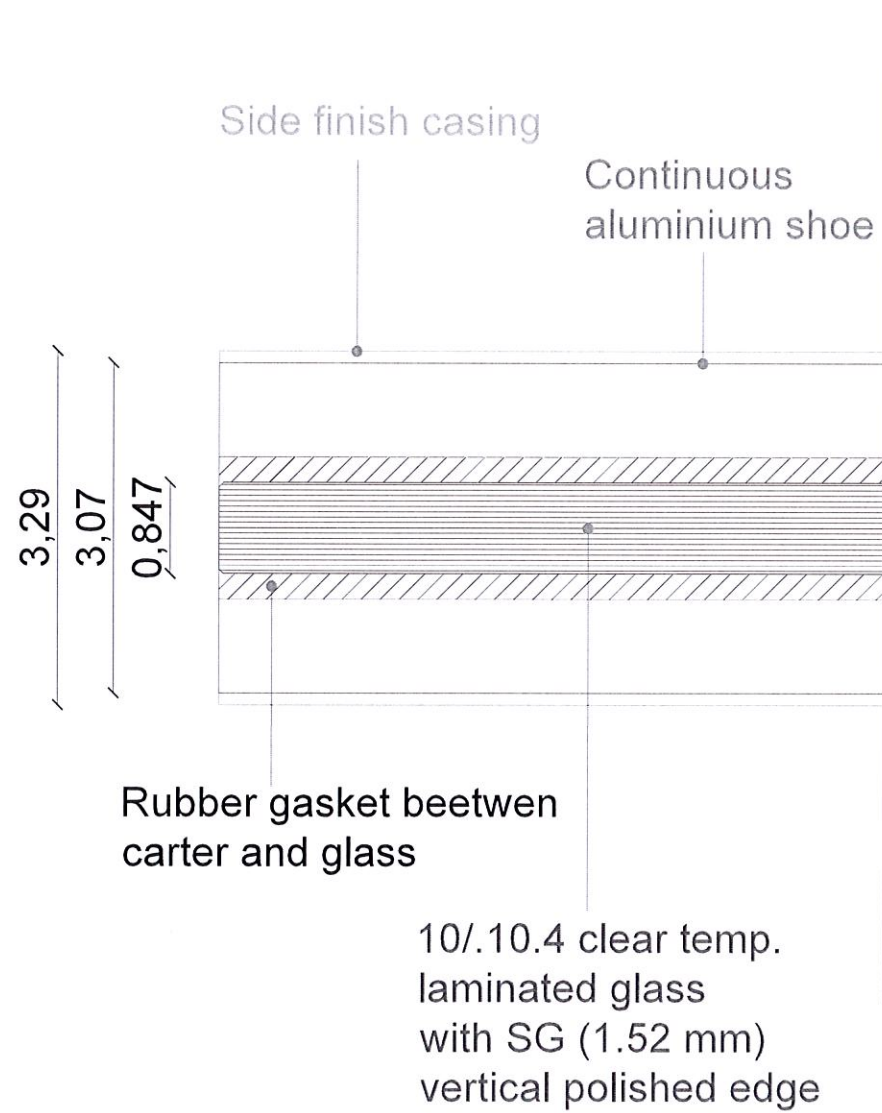
0,24

VDR

PLAN

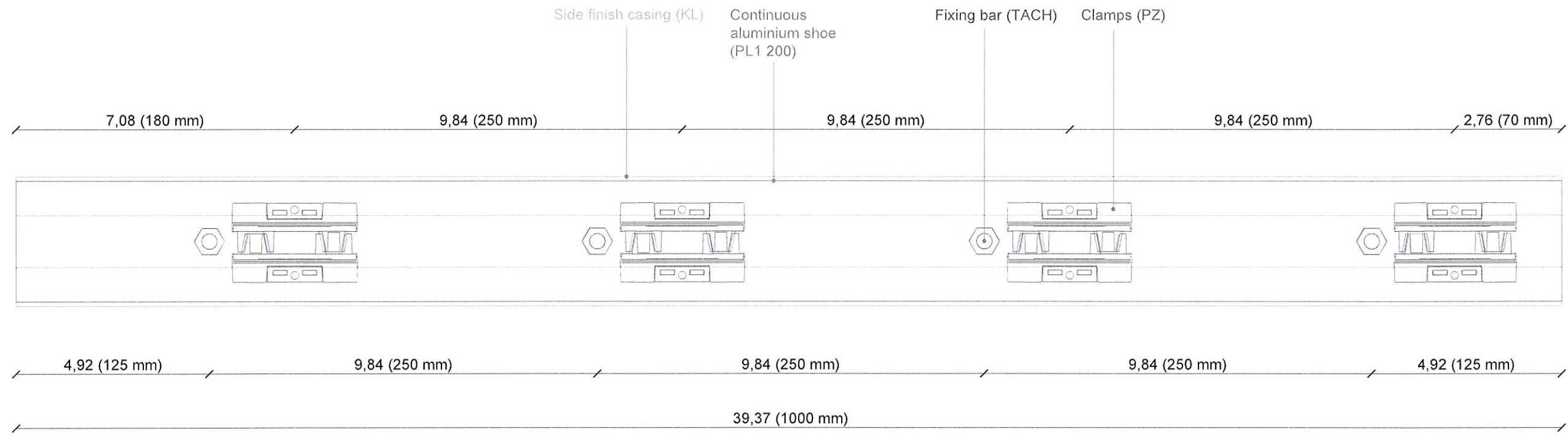


 **BLACKWATER TESTING INC.**
Verified Dimensions Only
Date: NOV 07 2018
Test #: DT-ALUV-18-001
Reviewer: VDR



JK

BLACKWATER TESTING INC.
 Verified Dimensions Only
 Date: NOV 07 2018
 Test #: **BT-AUV-18-001**
 Reviewer: *JK*



Uda

PLAN PL1 200 + PZ10



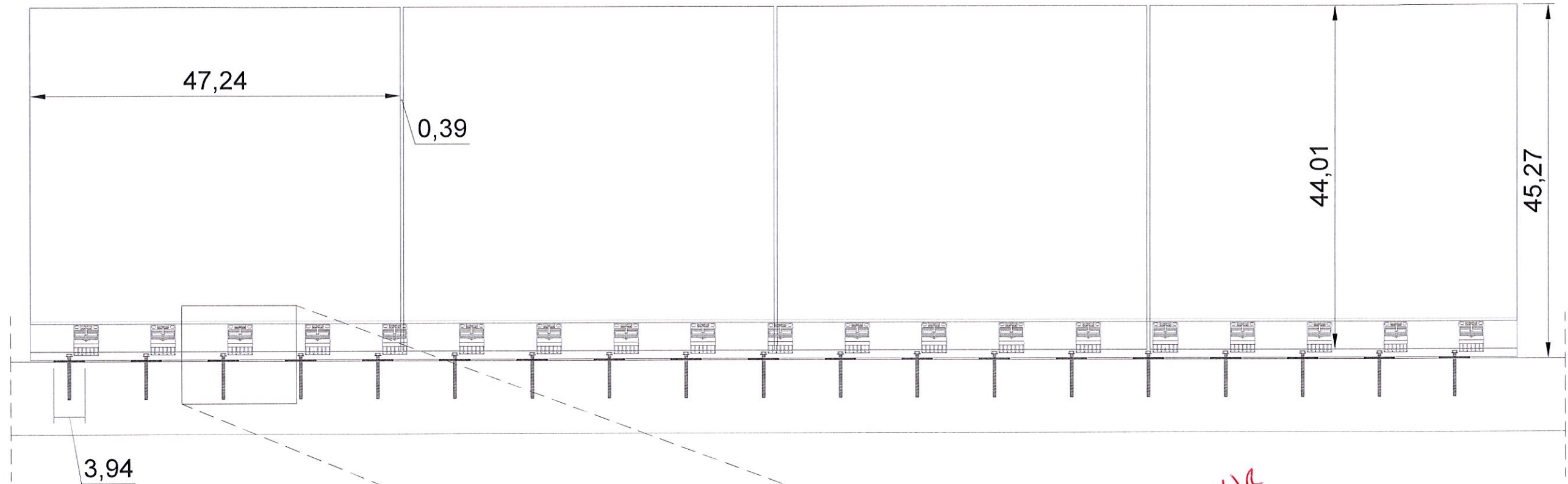
BLACKWATER TESTING INC.

Verified Dimensions Only

Date: NOV 07 2018

Test #: **BT-AUV-18-001**

Reviewer: *[Signature]*



VJR

10/10.4 clear temp.
laminated glass with SG
vertical polished edge

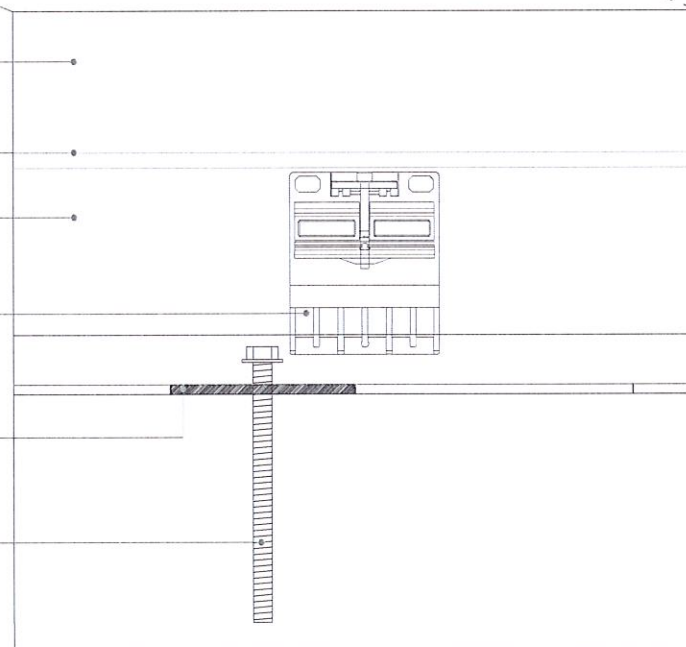
Side finish casing

Continuous
aluminium shoe
(PL1 300)

Clamps (PZ)

Drain water
system (GP)

Fixing bar
(TACH)



BLACKWATER TESTING INC.

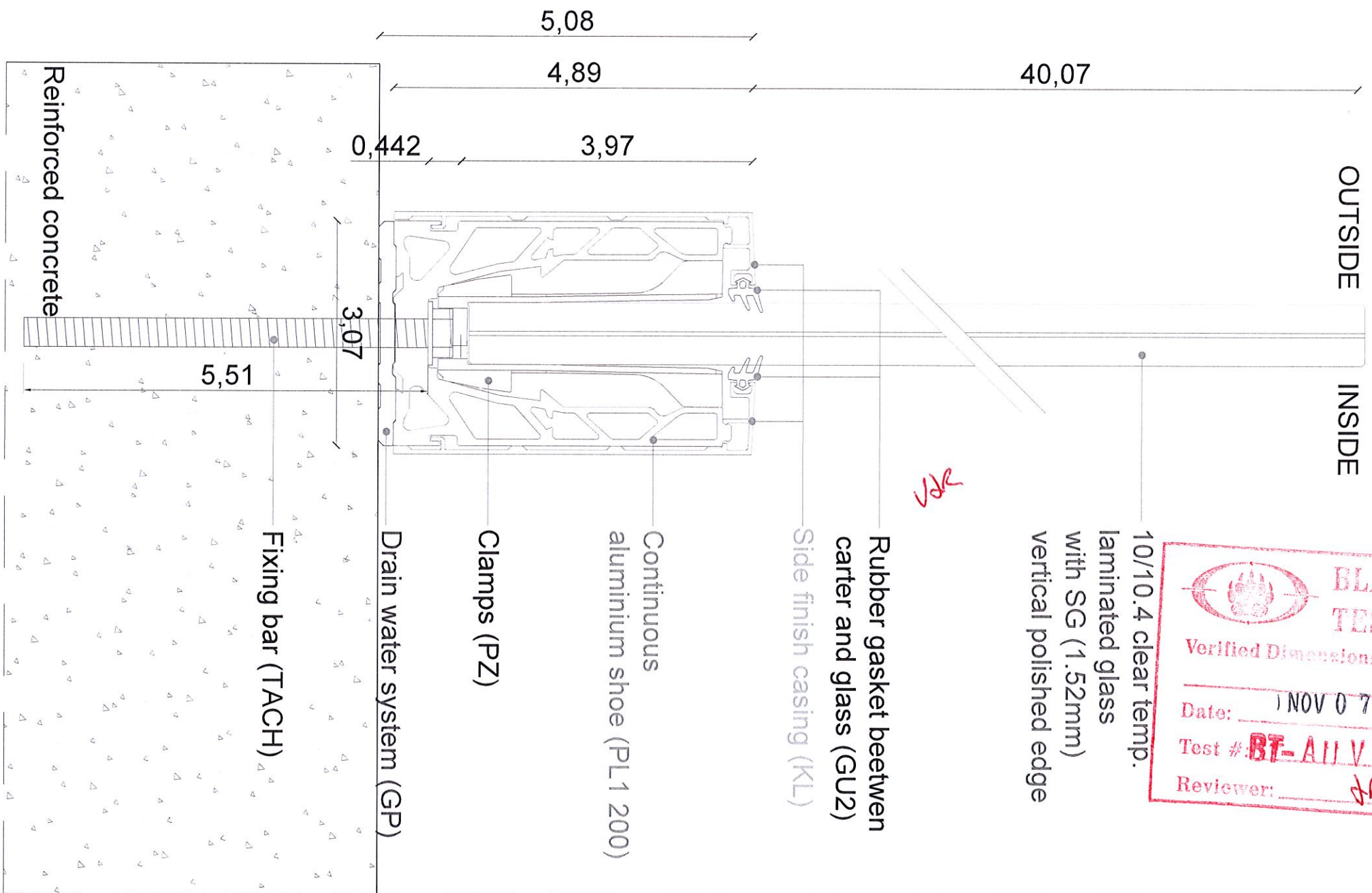
Verified Dimensions Only

Date: NOV 07 2018

Test #: BT-AUV-18-001

Reviewer: JF

SECTION PL1 200



BLACKWATER TESTING INC.
Verified Dimensions Only
Date: NOV 07 2018
Test #: **BT-ALV-18-001**
Reviewer: **AR**

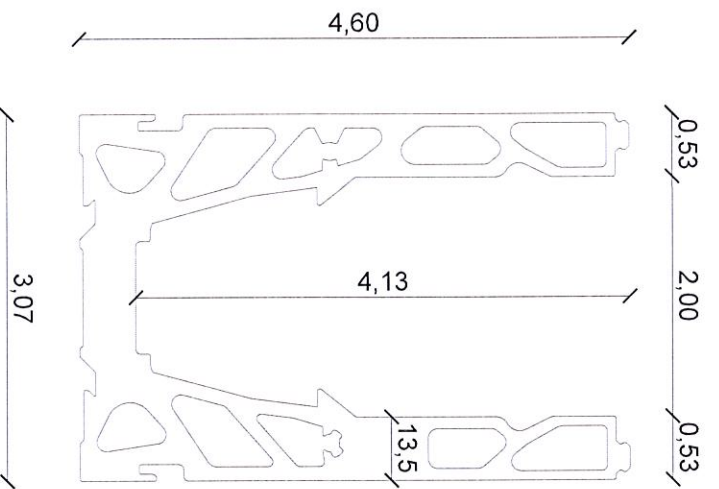

ALUVETRO
LO SGUARDO OLTRE

Continuous aluminium shoe (PL1 300)
Extruded aluminium 6063 T6



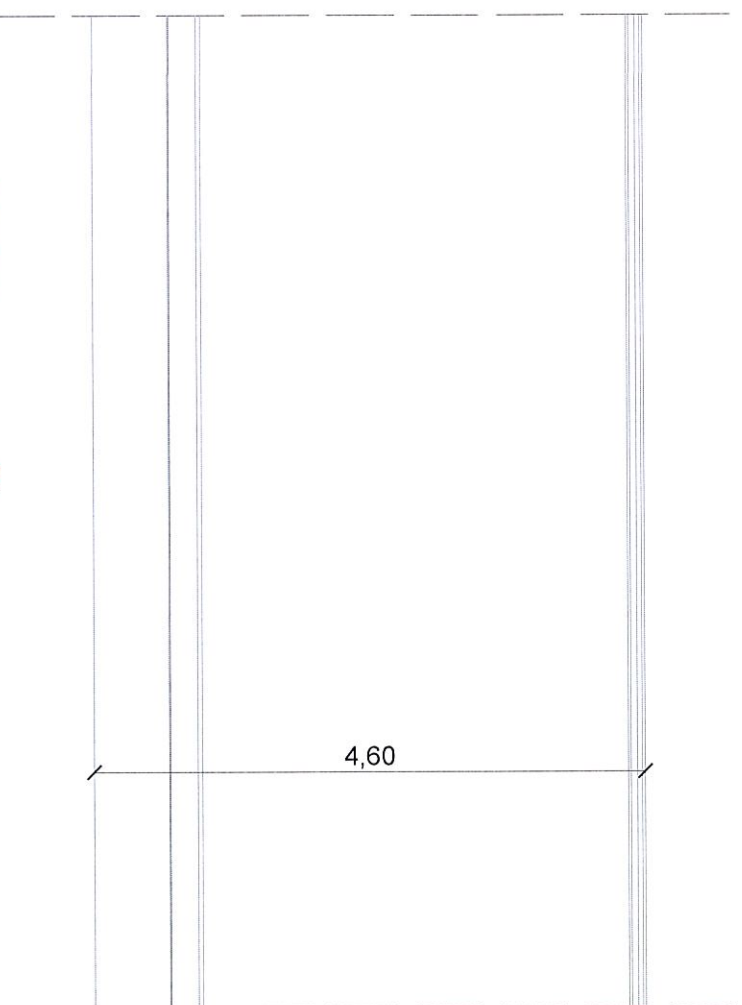
ALUVETRO
LO SGUARDO OLTRE

SECTION

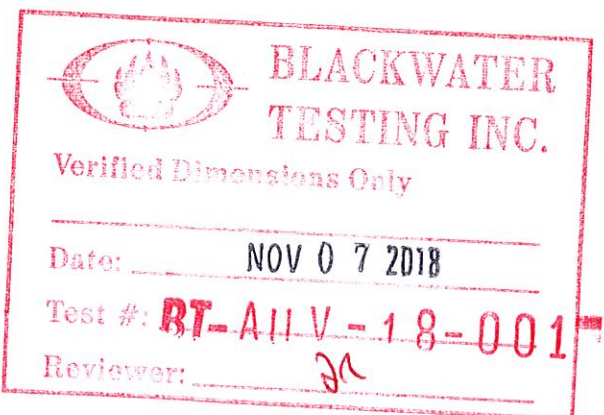
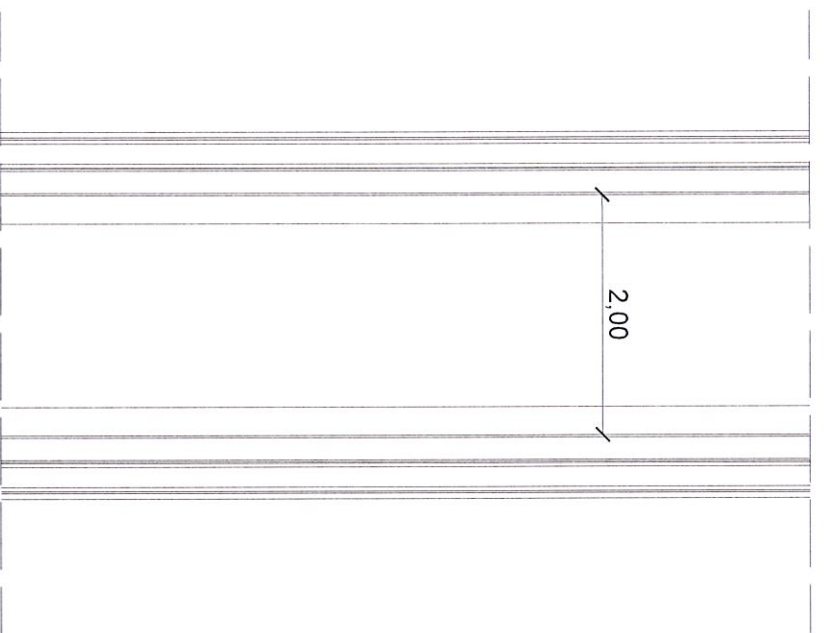


U/R

PROSPETTUS



PLAN



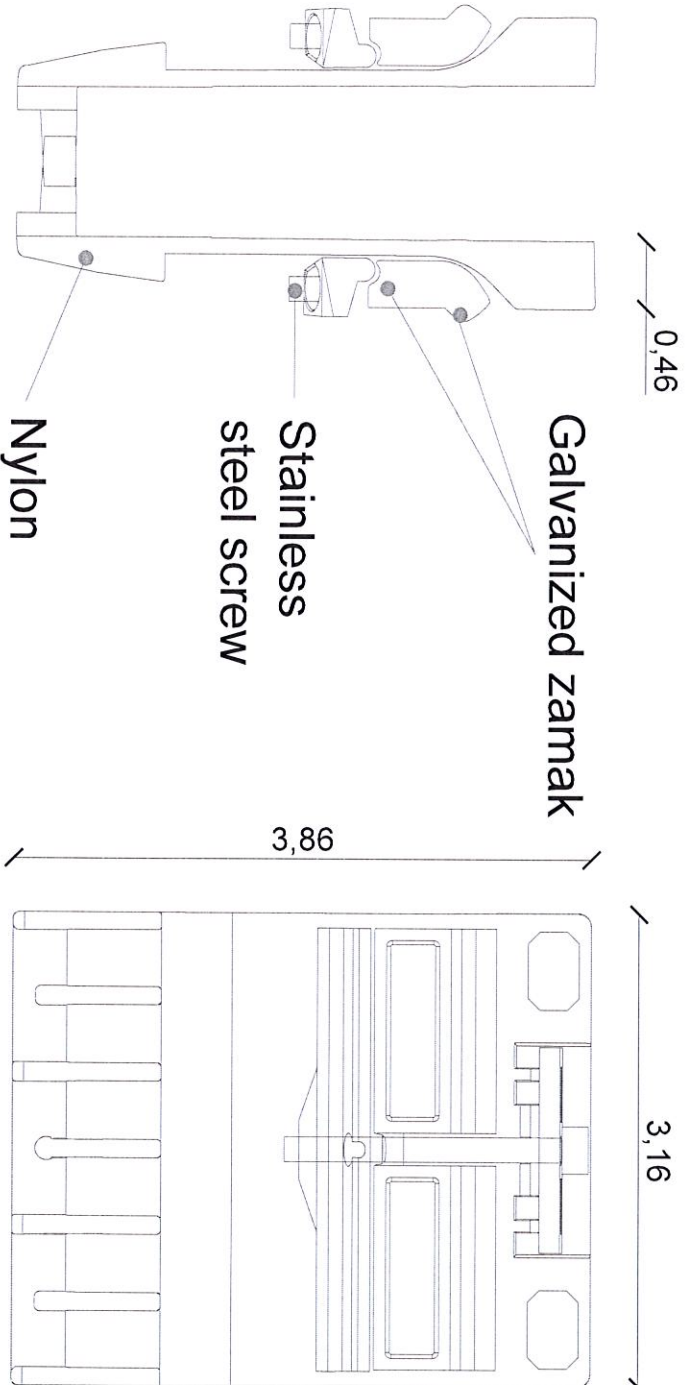
Clamp for glass 12/12



ALUVETRO
LO SGUARDO OLTRE

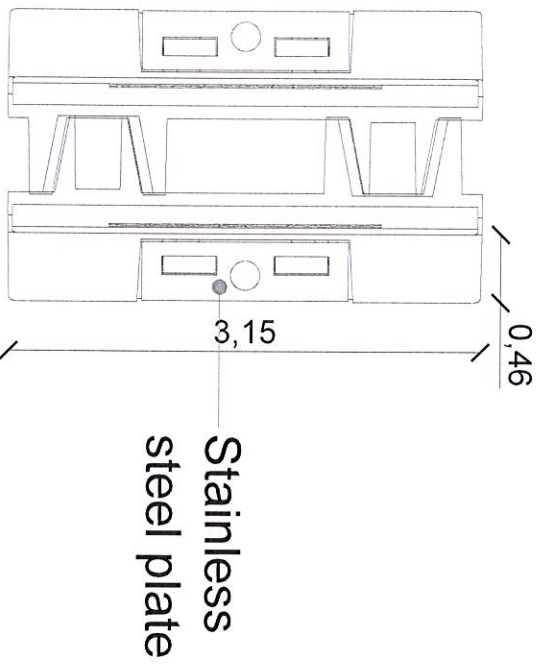
SECTION

PROSPETTUS



WDR

PLAN

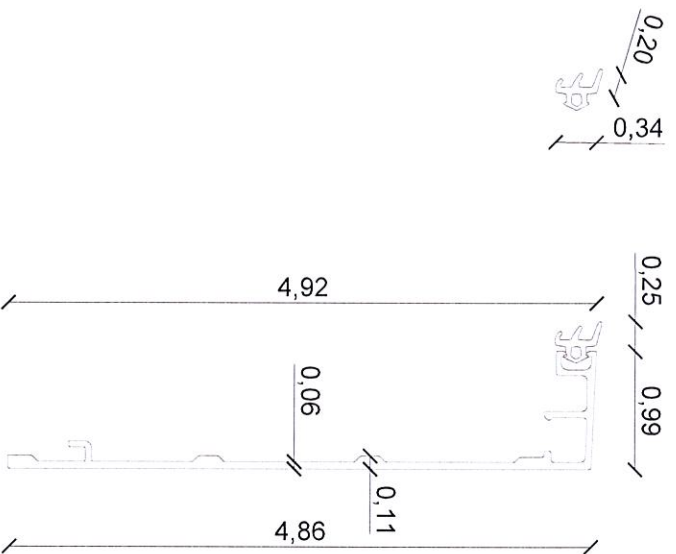


Lateral carter (KL) +
rubber gasket Rubber gasket between
carter and glass 12/12 (GUB 3)
Extruded aluminum 6060

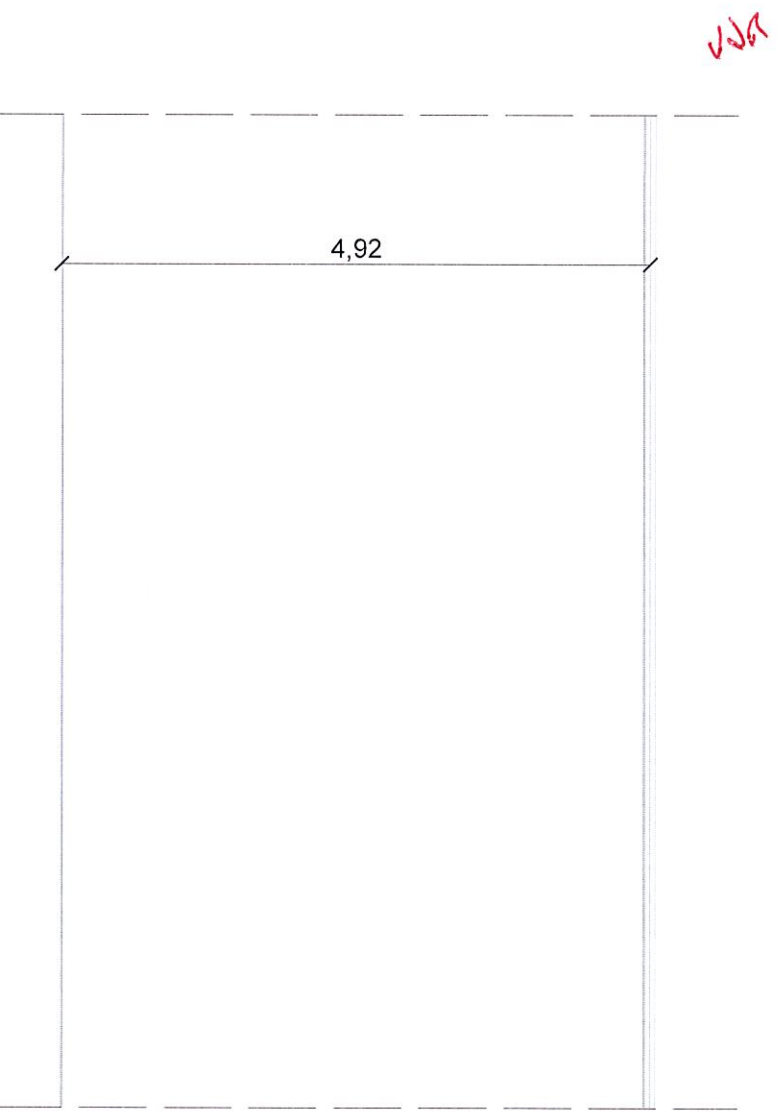


ALLVETRO
LO SGUARDO OLTRE

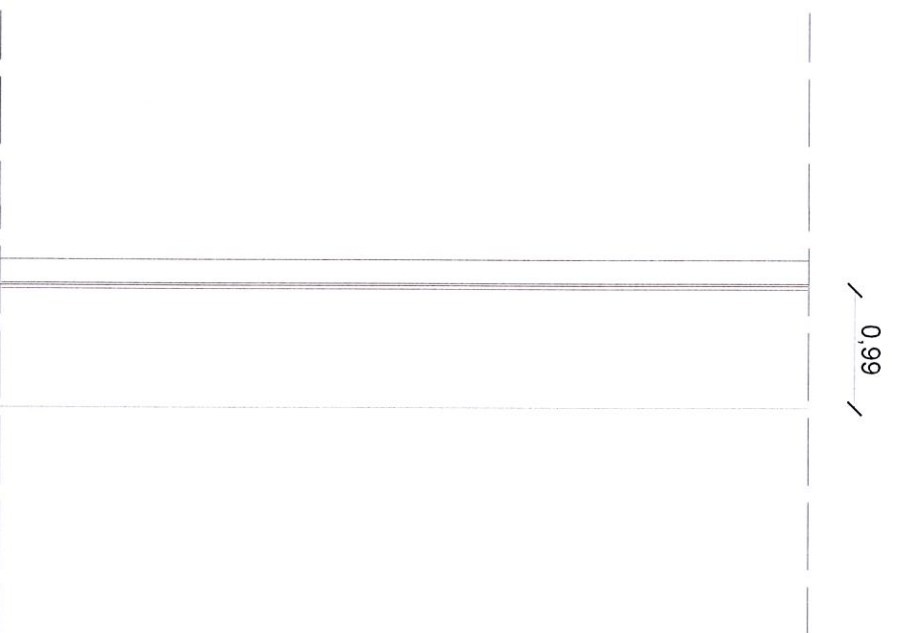
SECTION



PROSPETTUS



PLAN



BLACKWATER
TESTING INC.

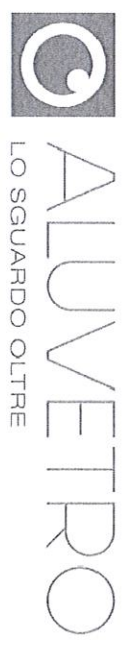
Verified Dimensions Only

Date: NOV 07 2018

Test #: BT-ALLV-18-0017

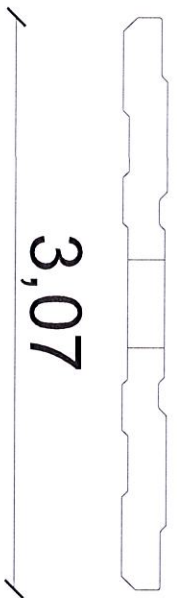
Reviewer: *DR*

Drain water system



SECTION

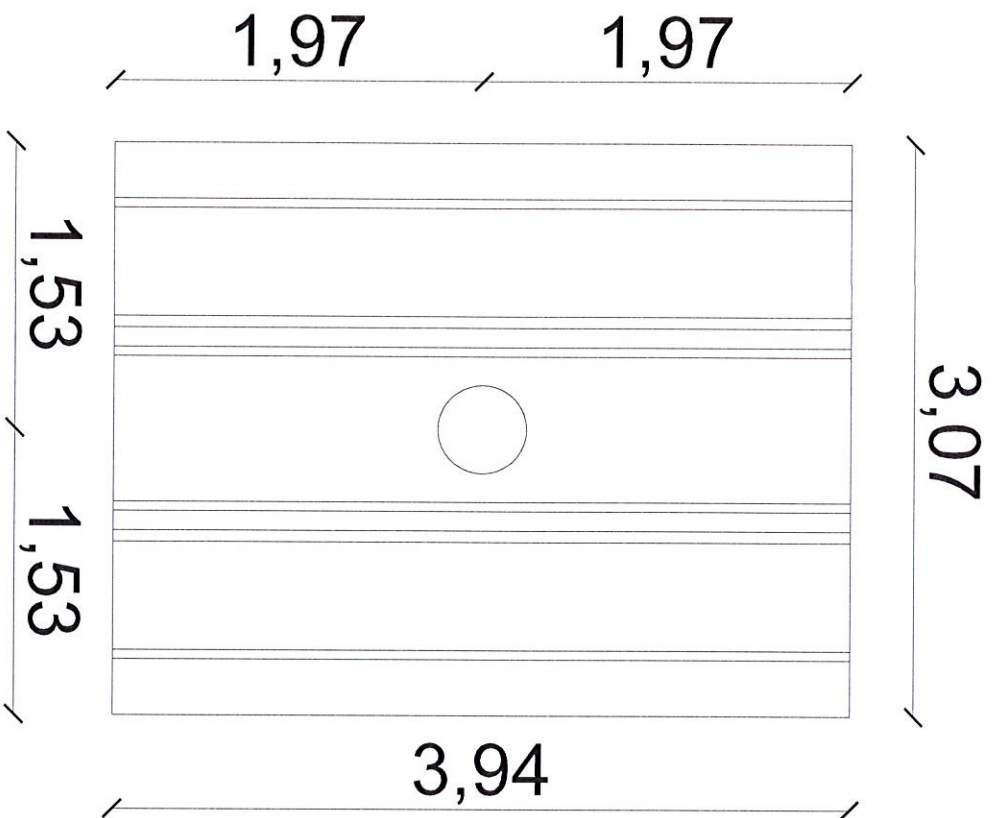
PROSPECTUS



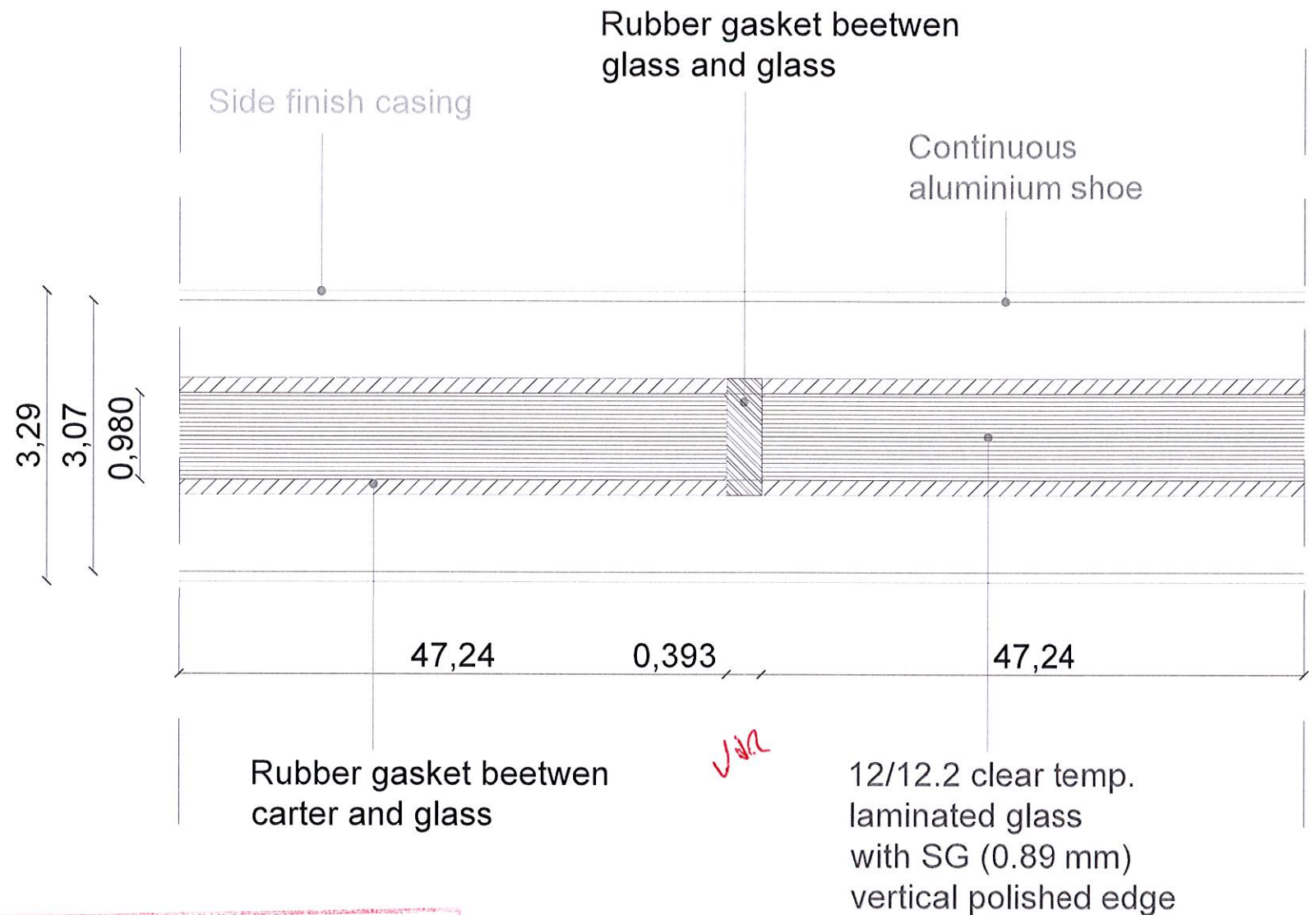
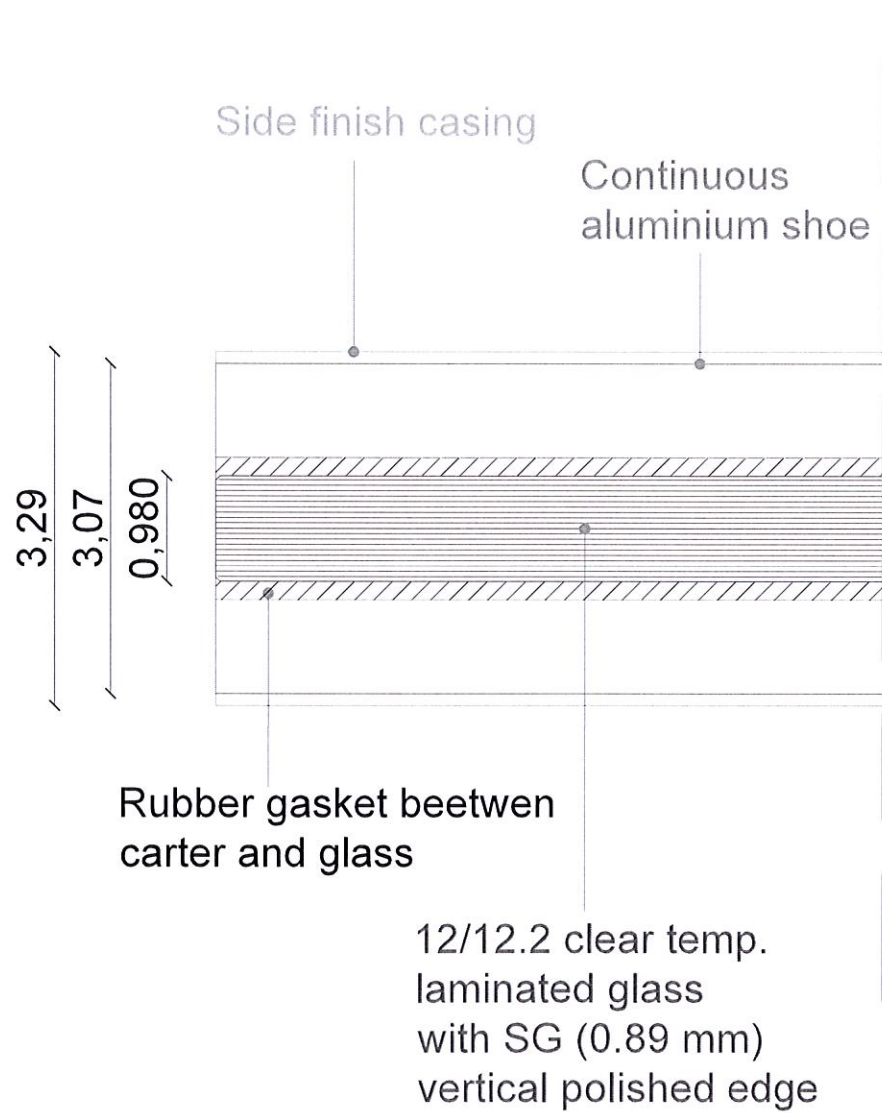
0,24



PLAN



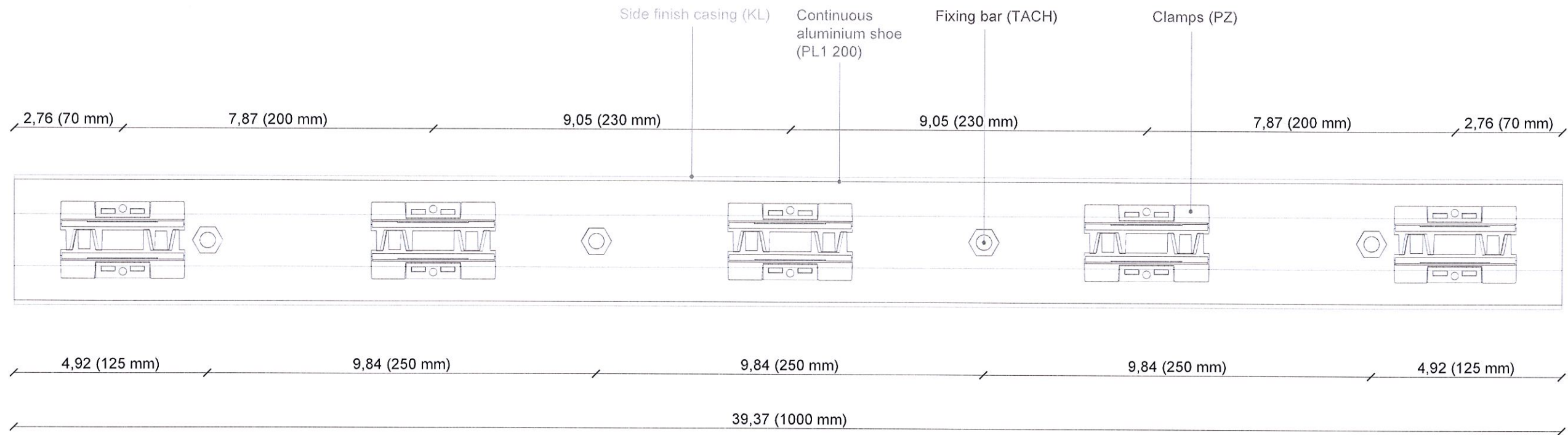
BLACKWATER TESTING INC.
Verified Dimensions Only
Date: NOV 07 2018
Test #: **BT-AUV-18-001**
Reviewer: *[Signature]*



BLACKEWATER TESTING INC.
 Verified Dimensions Only
 Date: NOV 07 2018
 Test #: RT-A11V-18-001
 Reviewer: *AL*


PLAN PL1 300





Vdk

PLANT PL1 300 + PZ12

 **BLACKWATER TESTING INC.**

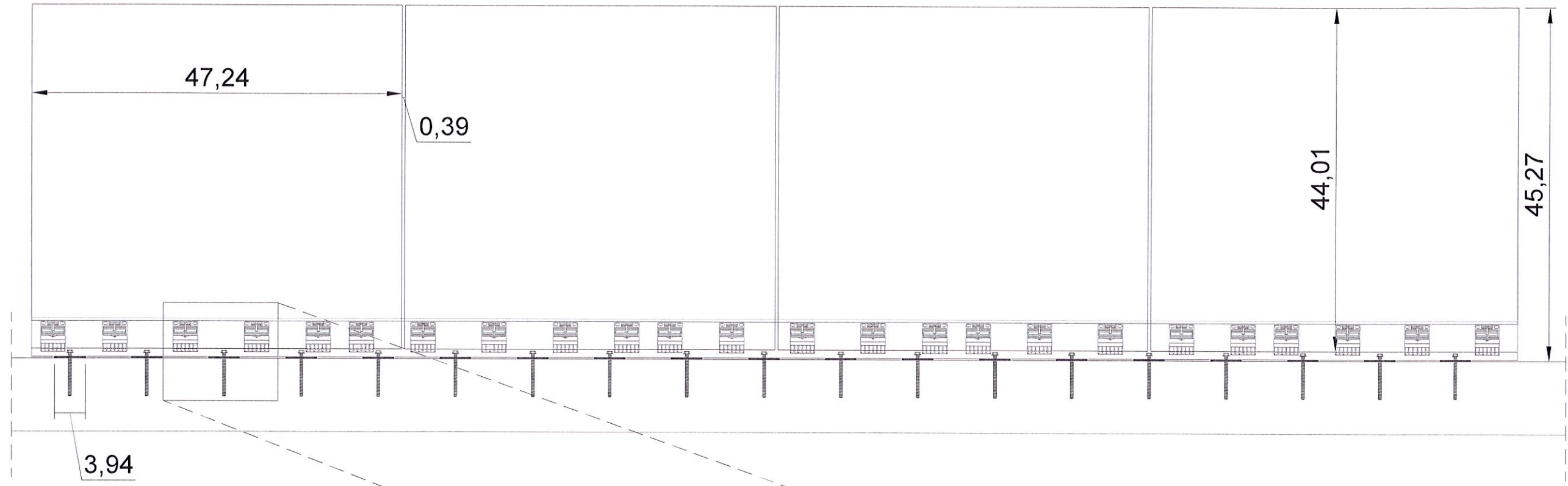
Verified Dimensions Only

Date: NOV 07 2018

Test #: RT-ALU-1R-001

Reviewer: *[Signature]*

 **ALUVETRO**
LO SGUARDO OLTRE



10/10.4 clear temp.
laminated glass with SG
vertical polished edge

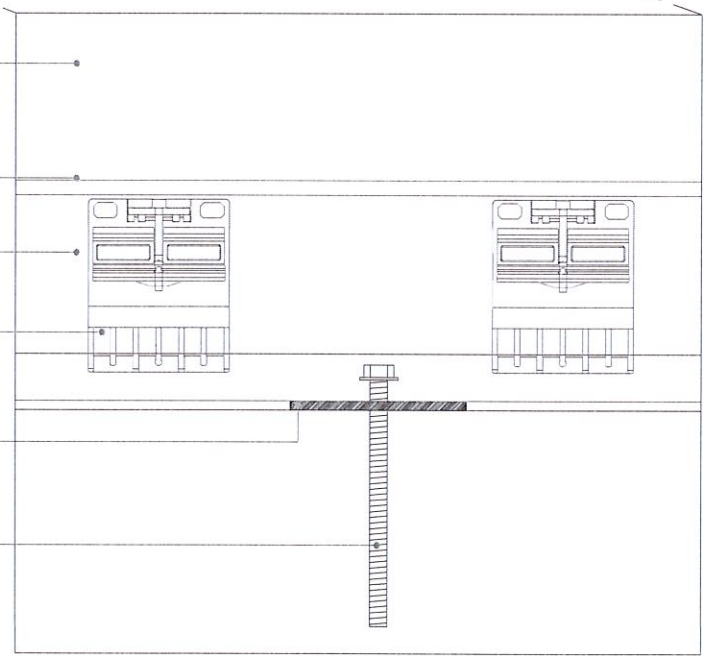
Side finish casing

Continuous
aluminium shoe
(PL1 300)

Clamps (PZ)

Drain water
system (GP)

Fixing bar
(TACH)



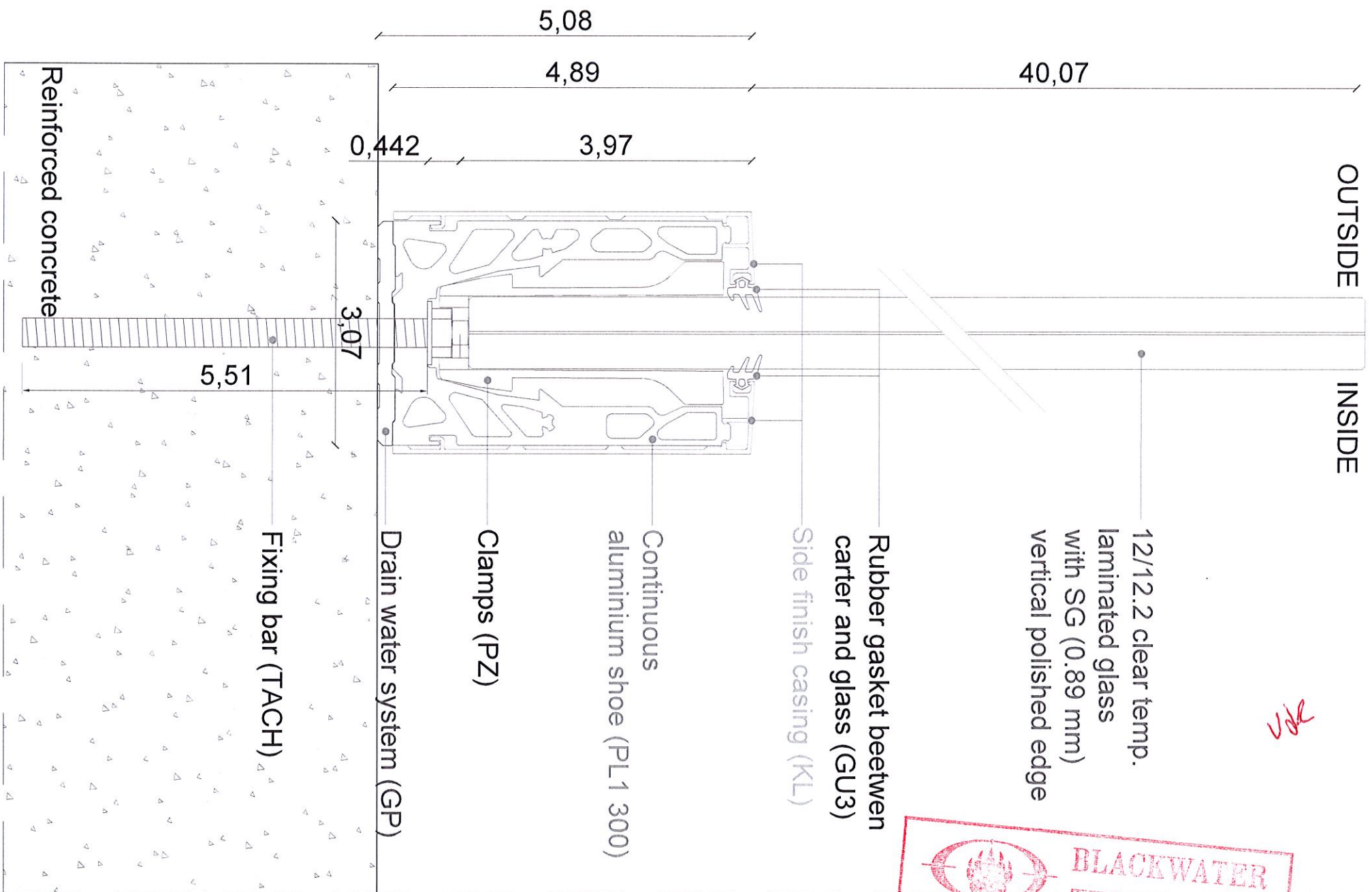
BLACKWATER TESTING INC.
 Validated Dimensions Only
 Date: NOV 07 2018
 Test #: **BT-AUV-18-001**
 Reviewer: *RC*

UK

SECTION PL1 300



ALUVETRO
LO SGUARDO OLTRE



note

