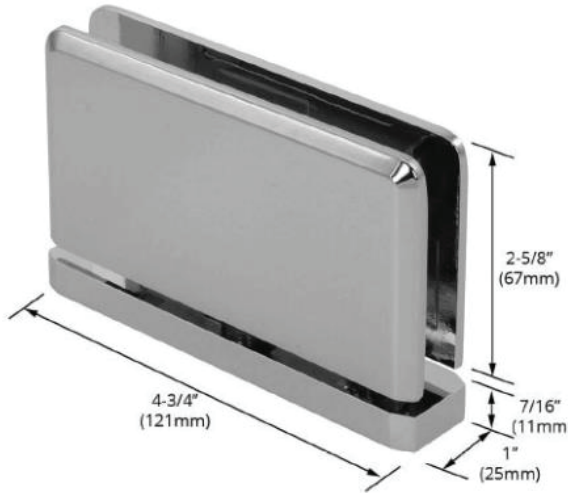


# Technical Data Sheet

## Item # Z-3838



### Heavy-Duty Pivot Beveled Hinge

#### GLASS REQUIREMENTS:

- 3/8" (10mm) Tempered Glass
- 1/2" (12mm) Tempered Glass
- 9/16" (13.52mm) Laminated Tempered Glass

#### SPECIFICATIONS:

- Solid brass body and clear polyurethane gaskets
- Screws and gaskets included
- Hinge swings 90° in and 90° out with self-centering
- Self-centering when within 15° of closed position
- Use thick gaskets for 3/8" glass or thin gaskets for 1/2" glass

#### CARES:

- Can be cleaned with water and a soft cloth
- Use of harsh or abrasive cleaners may harm finish and will void the warranty.
- Do not use power tools when installing or spray lubricant on this hinges
- 3 year warranty

#### AVAILABLE FINISHES:

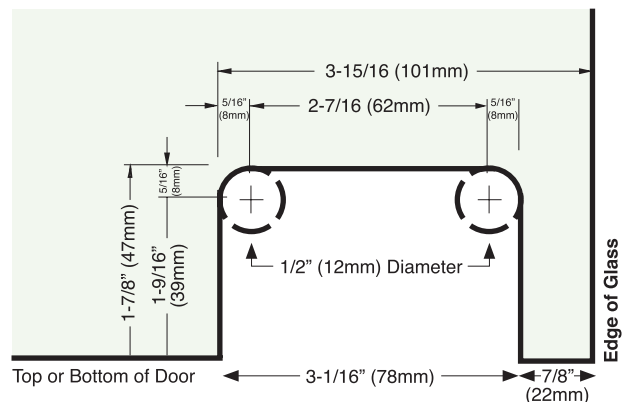


### Maximum Door Capacities

2 HINGES

Weight 145 lbs (66 Kg)  
Width 36" (914 mm)

#### Top and Bottom Glass Cut-Out Deduction: 9/16" (13mm)



Rev May,2022